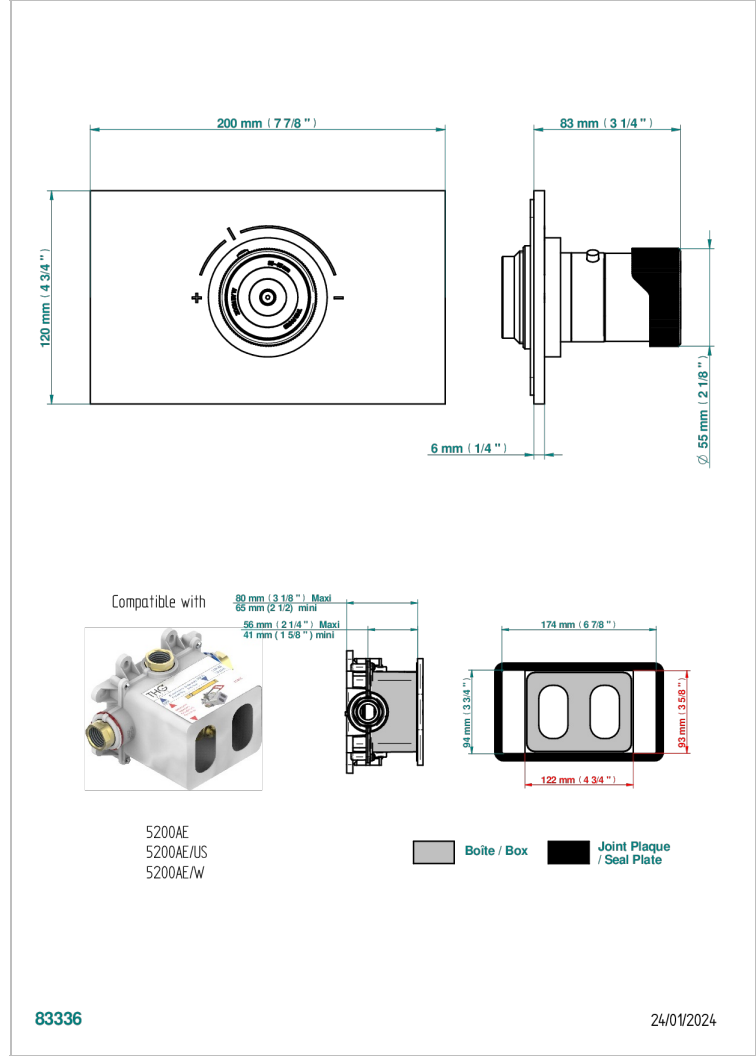


# ZOOM.5

U4J-5100B

Trim for THG thermostat, rough part supplied with fixing box ref.5 200AE/US



## CHARACTERISTIC

- ASME : ASME A112.18.1-2011/CSA B125.1-11
- DVGW : DW-6512CQ0608

## STANDARDS



## RELATED SKU'S

- Ref. G00-5100C Extension kit for thermostatic mixing valve - for installation between 80 mm and 125 mm
- Ref. G00-5100G Reinforced stop ring for THG thermostatic with fixing set
- Ref. G00-5200AE/US 3/4" THG thermostat, 60 l/min with wax cartridge, delivered with a built-in box, no trim

## AVAILABLE FINITIONS

- |                              |                           |                                    |                        |
|------------------------------|---------------------------|------------------------------------|------------------------|
| Black ceram - D30            | Gold mat - F07            | Matt brass color PVD - H50         | Nickel color PVD - H55 |
| Blush PVD - H62              | Gold polished - F01       | Matt brown bronze color PVD - F34  | Nickel polished - B01  |
| Brass color PVD - H49        | Graphite PVD - H64        | Matt gold color PVD - H53          | Soft gold - F30        |
| Brown bronze color PVD - F33 | Light coated bronze - D01 | Matt graphite PVD - H65            | Soft matt gold - F31   |
| Chrome polished - A02        | Matt Umber PVD - H67      | Matt nickel (American satin) - C01 | Umber PVD - H66        |
| Gold color PVD - H52         | Matt blush PVD - H60      | Matt nickel color PVD - H56        |                        |