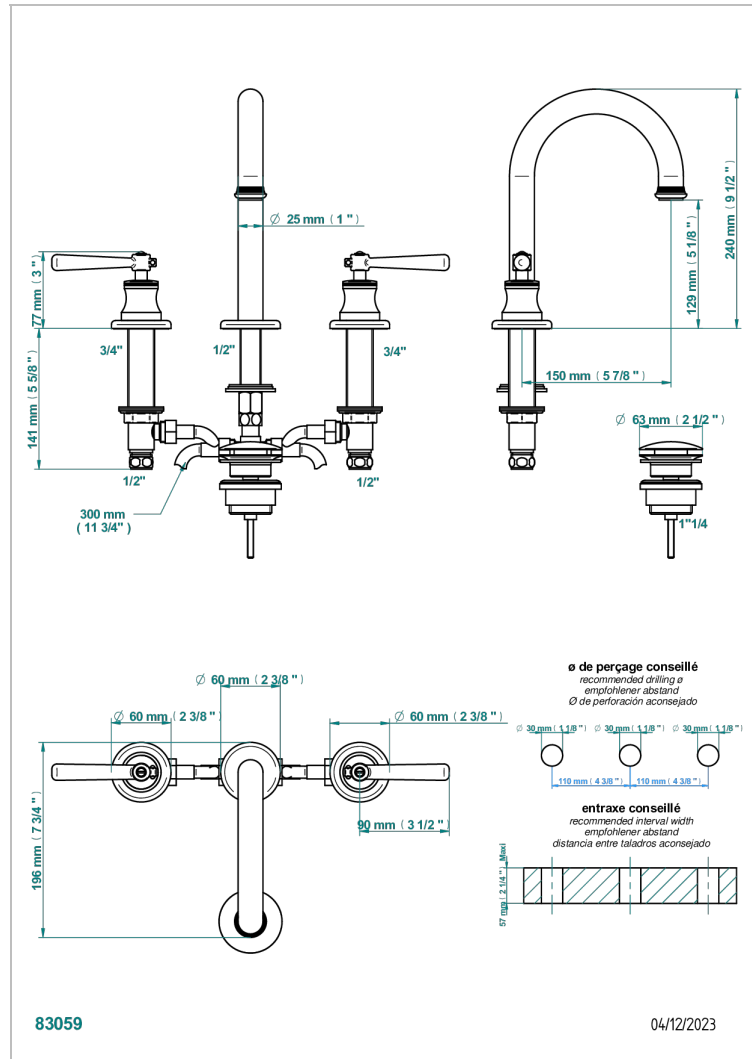


BEAUBOURG WITH LEVER

G7B-152M

Rim mounted 3-hole basin mixer with waste, for marble high spout



CHARACTERISTIC

- ACS : 18ACCLY393
- NF : NF EN 200 - IA - Chrome

STANDARDS



AVAILABLE FINITIONS

- | | |
|------------------------------|-----------------------------------|
| Antique nickel - H28 | Graphite PVD - H64 |
| Black ceram - D30 | Lacquered light bronze - D01 |
| Blush PVD - H62 | Matt Umber PVD - H67 |
| Brass color PVD - H49 | Matt blush PVD - H60 |
| Brown bronze color PVD - F33 | Matt brass color PVD - H50 |
| Gold color PVD - H52 | Matt brown bronze color PVD - F34 |

- | |
|----------------------------------|
| Matt chrome - C02 |
| Matt gold - F07 |
| Matt gold color PVD - H53 |
| Matt graphite PVD - H65 |
| Matt nickel (color finish) - C01 |
| Matt nickel color PVD - H56 |

- | |
|--|
| Natural smoked Brass - A13 |
| Nickel color PVD - H55 |
| Polished chrome (color finish) - A02 |
| Polished chrome / Polished gold (color finish) - G02 |
| Polished gold (color finish) - F01 |
| Polished nickel - B01 |

- | |
|----------------------|
| Soft gold - F30 |
| Soft matt gold - F31 |
| Umber PVD - H66 |