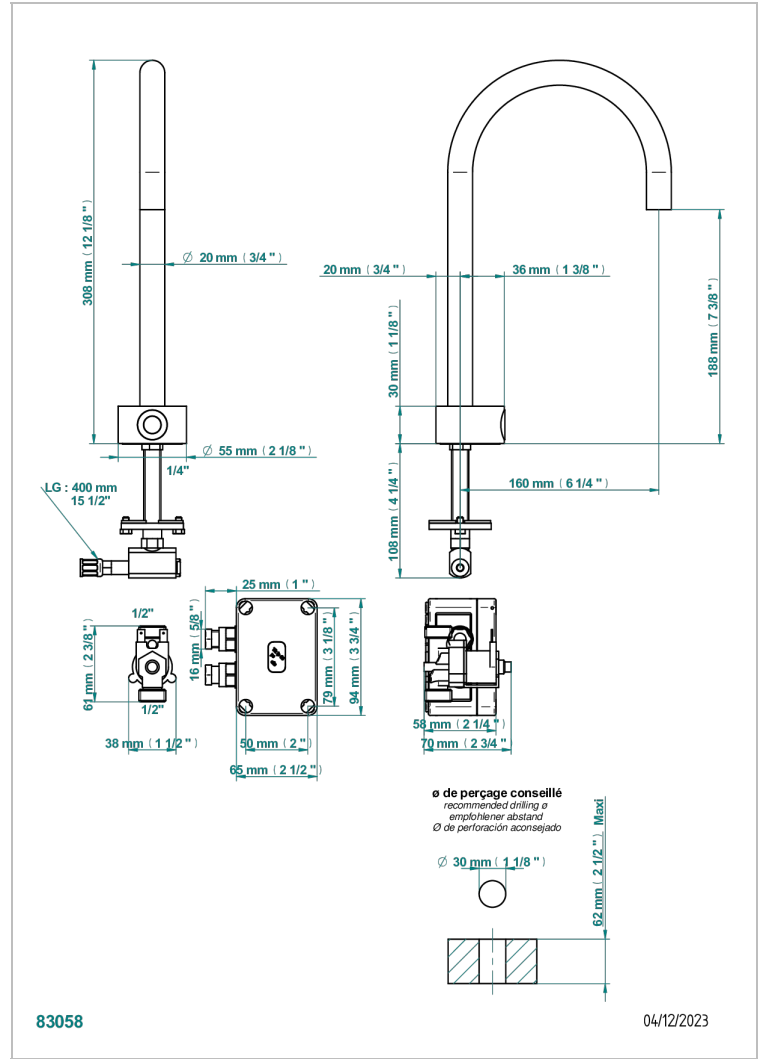


Electronic tap for washbasin with infra-red presence detection, without pop-up waste - mains-powered



### EIGENSCHAFTEN

- ACS : 21ACCLY484

### ZERTIFIZIERUNGEN



### ÄHNLICHE PRODUKTE

- Ref. G00-5999 Concealed wall mounted 1/2" Thermostatic mixer
- Ref. G7S-6532 Einhebelmischer zur Standmontage mit Bedienungsgriff passend zur Serie

### VERFÜGBARE OBERFLÄCHEN

Altnickel - H28  
 Blassgold - F30  
 Blassgold matt unlackiert - F31  
 Bronze hell - D01  
 Chrom - A02  
 Chrom matt - C02

Gold - F01  
 Gold matt - F07  
 Mattschwarz keramik - D30  
 Natural smoked Brass - A13  
 Nickel matt - C01  
 Polished chrome with gold inlay - GA1

Pvd blush - H62  
 Pvd blush matt - H60  
 Pvd bronze braun - F33  
 Pvd bronze braun matt - F34  
 Pvd gold - H52  
 Pvd gold matt - H53

Pvd graphite - H64  
 Pvd graphite matt - H65  
 Pvd messing - H49  
 Pvd messing matt - H50  
 Pvd nickel - H55  
 Pvd nickel matt - H56

Pvd umber - H66  
 Pvd umber matt - H67  
 Silbernickel - B01