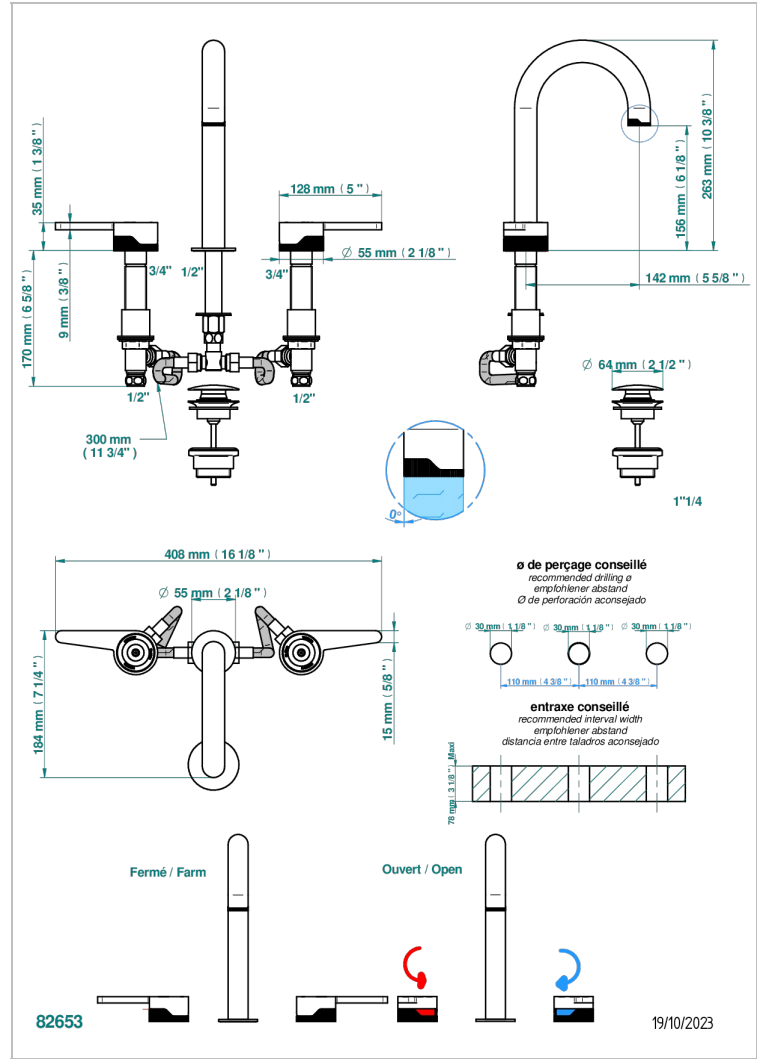


ZOOM.12

U4L-152M

Rim mounted 3-hole basin mixer with waste, for marble high spout



CHARACTERISTIC

- ACS : 18ACCLY393
- NF : NF EN 200 - IA - Chrome

STANDARDS



AVAILABLE FINITIONS

- | | |
|------------------------------|-----------------------------------|
| Black ceram - D30 | Lacquered light bronze - D01 |
| Blush PVD - H62 | Matt Umber PVD - H67 |
| Brass color PVD - H49 | Matt blush PVD - H60 |
| Brown bronze color PVD - F33 | Matt brass color PVD - H50 |
| Gold color PVD - H52 | Matt brown bronze color PVD - F34 |
| Graphite PVD - H64 | Matt gold - F07 |

- | |
|--------------------------------------|
| Matt gold color PVD - H53 |
| Matt graphite PVD - H65 |
| Matt nickel (color finish) - C01 |
| Matt nickel color PVD - H56 |
| Nickel color PVD - H55 |
| Polished chrome (color finish) - A02 |

- | |
|------------------------------------|
| Polished gold (color finish) - F01 |
| Polished nickel - B01 |
| Soft gold - F30 |
| Soft matt gold - F31 |
| Umber PVD - H66 |