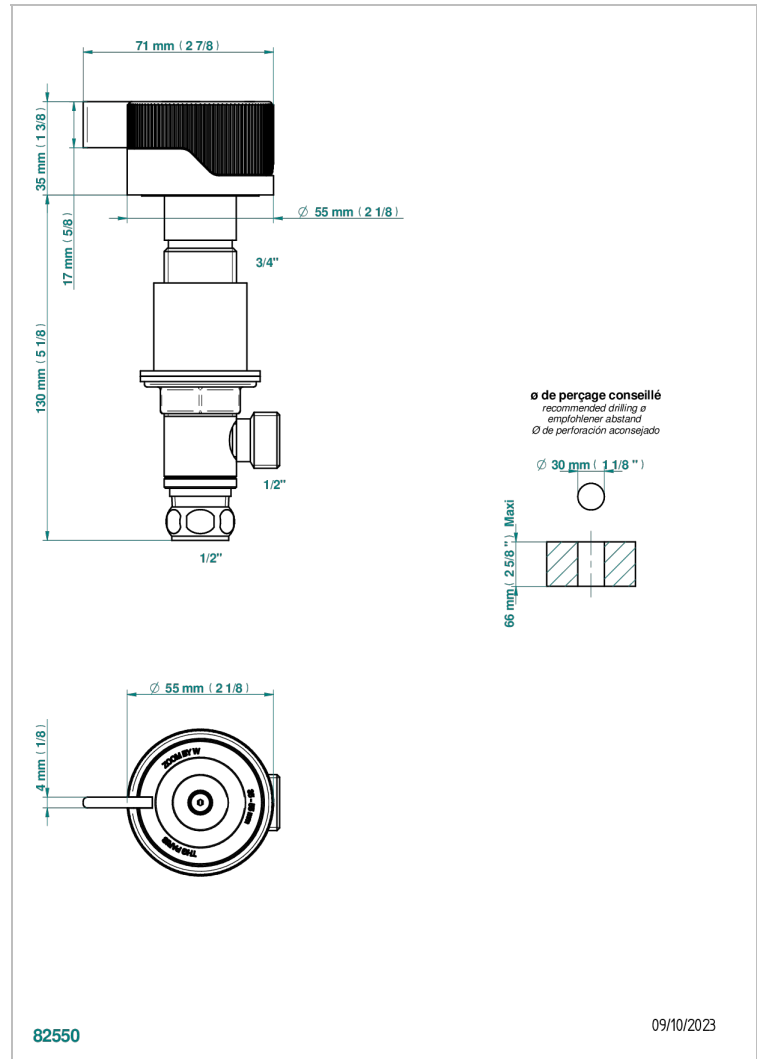


# ZOOM.7

U4K-35/N

Einbauventil zur Standmontage 1/2", neutral

THG<sup>®</sup>  
PARIS



## EIGENSCHAFTEN

- Zoom.7
- Einbauventil zur Standmontage 1/2", neutral

## VERFÜGBARE OBERFLÄCHEN

Blassgold - F30  
Blassgold matt unlackiert - F31  
Bronze hell - D01  
Chrom - A02  
Gold - F01  
Gold matt - F07

Mattschwarz keramik - D30  
Nickel matt - C01  
Pvd blush - H62  
Pvd blush matt - H60  
Pvd bronze braun - F33  
Pvd bronze braun matt - F34

Pvd gold - H52  
Pvd gold matt - H53  
Pvd graphite - H64  
Pvd graphite matt - H65  
Pvd messing - H49  
Pvd messing matt - H50

Pvd nickel - H55  
Pvd nickel matt - H56  
Pvd umber - H66  
Pvd umber matt - H67  
Silbernickel - B01