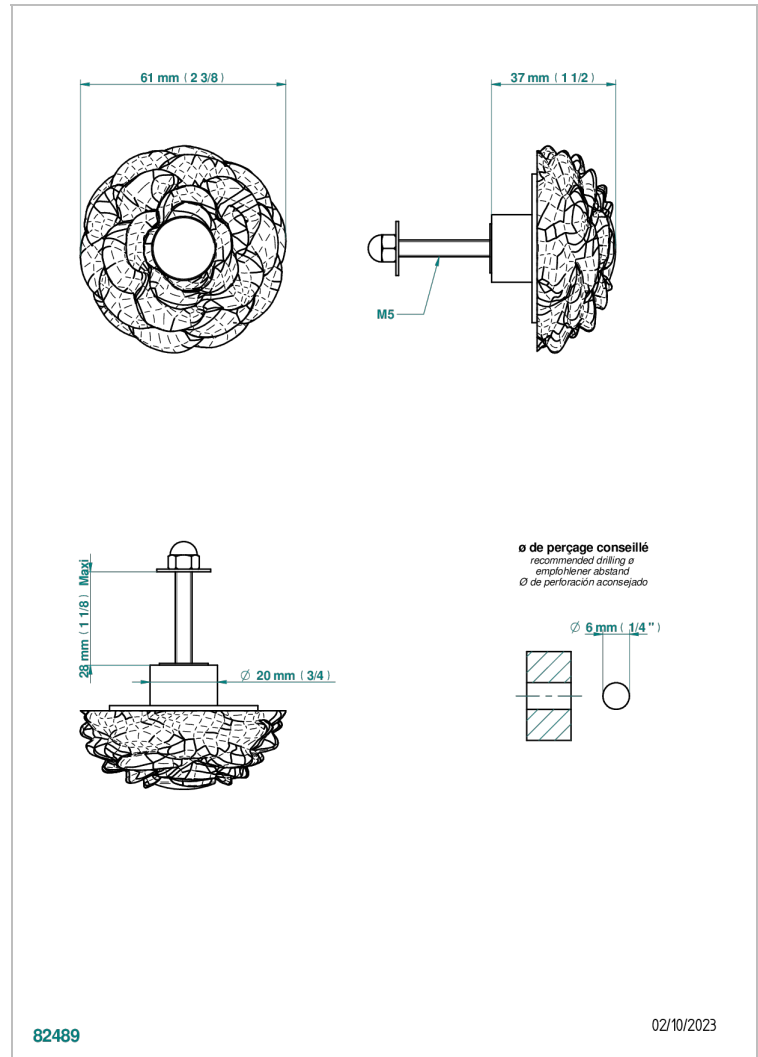
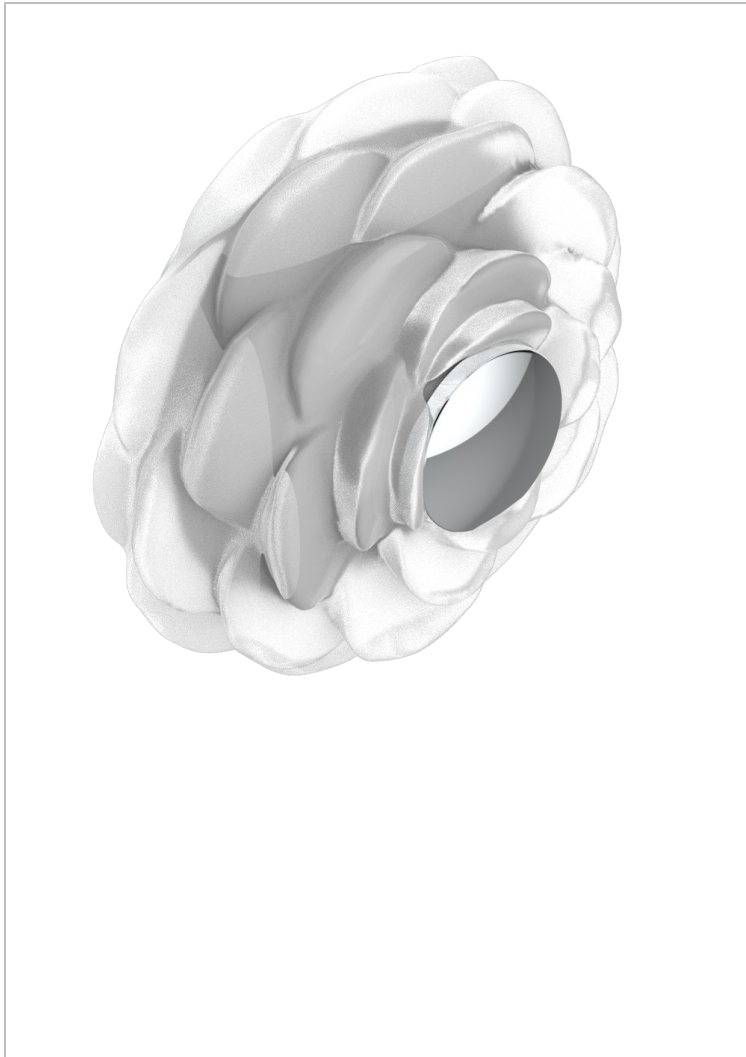


CAMELIA, KRISTALL KLAR

U5L-26BT

Kleiner Knopf

THG[®]
PARIS



EIGENSCHAFTEN

- Camélia, Kristall klar
- Kleiner Knopf

VERFÜGBARE OBERFLÄCHEN

Altnickel - H28
Blassgold matt unlackiert - F31
Chrom - A02
Chrom matt - C02
Gold - F01
Gold matt - F07

Mattschwarz keramik - D30
Nickel matt - C01
Pvd blush - H62
Pvd blush matt - H60
Pvd bronze braun - F33
Pvd bronze braun matt - F34

Pvd gold - H52
Pvd gold matt - H53
Pvd graphite - H64
Pvd graphite matt - H65
Pvd messing - H49
Pvd messing matt - H50

Pvd nickel - H55
Pvd nickel matt - H56
Pvd umber - H66
Pvd umber matt - H67
Silbernickel - B01