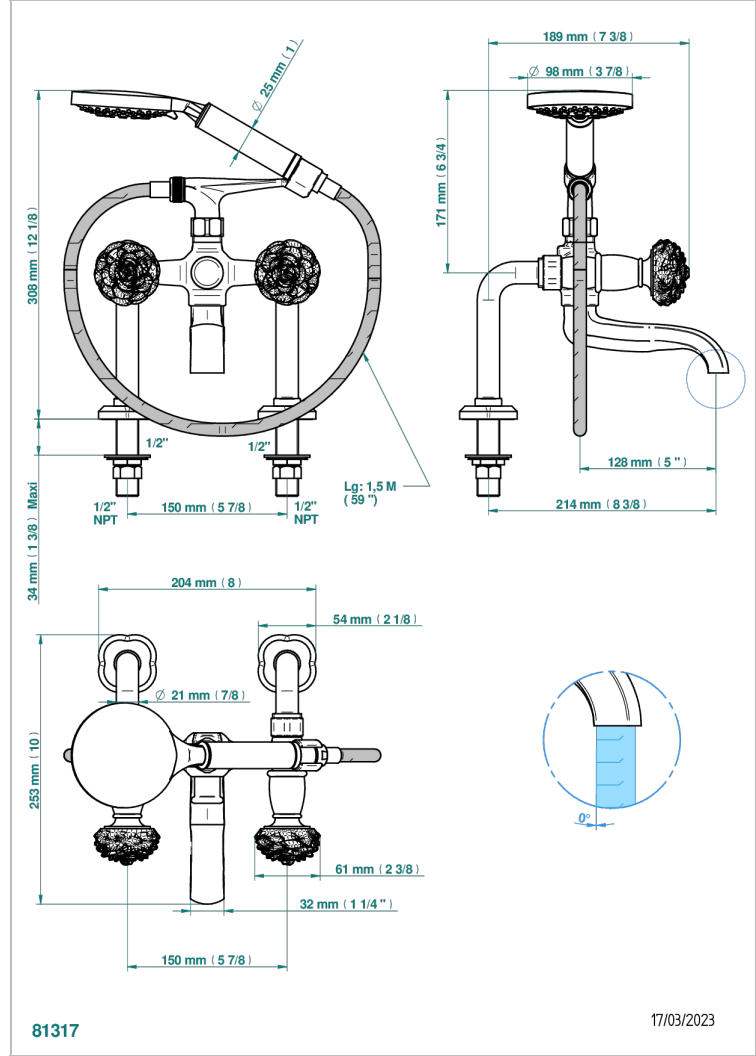


# CAMELIA CLEAR CRYSTAL

U5L-13G/US

Exposed tub filler with cradle handshower, deck mounted



## CHARACTERISTIC

- ASME : ASME A112.18.1-2011/CSA B125.1-11

## STANDARDS



## AVAILABLE FINITIONS

- |                              |                            |                                    |                                  |
|------------------------------|----------------------------|------------------------------------|----------------------------------|
| Black ceram - D30            | Gold mat - F07             | Matt brown bronze color PVD - F34  | Nickel antique / Sovereign - H28 |
| Blush PVD - H62              | Gold polished - F01        | Matt chrome (American satin) - C02 | Nickel color PVD - H55           |
| Brass color PVD - H49        | Graphite PVD - H64         | Matt gold color PVD - H53          | Nickel polished - B01            |
| Brown bronze color PVD - F33 | Matt Umber PVD - H67       | Matt graphite PVD - H65            | Soft matt gold - F31             |
| Chrome polished - A02        | Matt blush PVD - H60       | Matt nickel (American satin) - C01 | Umber PVD - H66                  |
| Gold color PVD - H52         | Matt brass color PVD - H50 | Matt nickel color PVD - H56        |                                  |