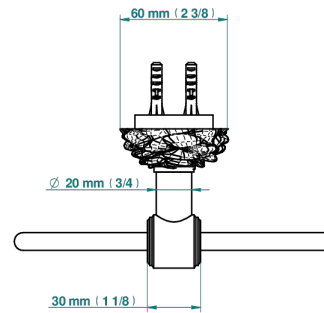
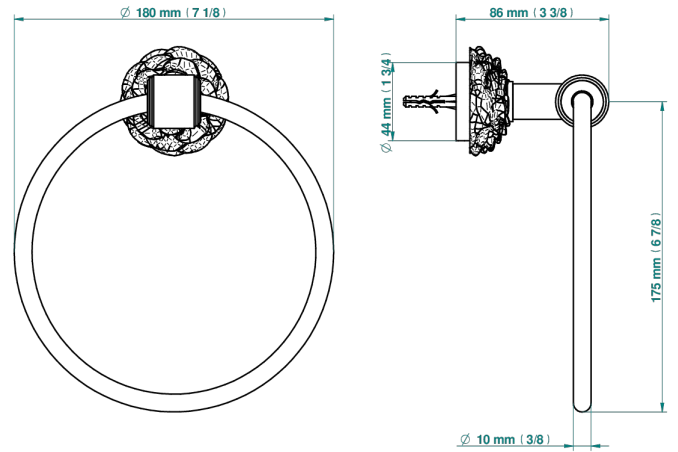


CAMELIA, KRISTALL KLAR

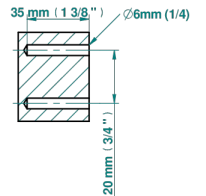
U5L-504N

Handtuchring

THG
PARIS



ø de perçage conseillé
recommended drilling ø
emploñer abstand
Ø de perforación aconsejado



81221

06/07/2023

EIGENSCHAFTEN

- Camélia, Kristall klar
- Handtuchring

VERFÜGBARE OBERFLÄCHEN

Altnickel - H28
Blassgold matt unlackiert - F31
Chrom - A02
Chrom matt - C02
Gold - F01
Gold matt - F07

Mattschwarz keramik - D30
Nickel matt - C01
Pvd blush - H62
Pvd blush matt - H60
Pvd bronze braun - F33
Pvd bronze braun matt - F34

Pvd gold - H52
Pvd gold matt - H53
Pvd graphite - H64
Pvd graphite matt - H65
Pvd messing - H49
Pvd messing matt - H50

Pvd nickel - H55
Pvd nickel matt - H56
Pvd umber - H66
Pvd umber matt - H67
Silbernichel - B01