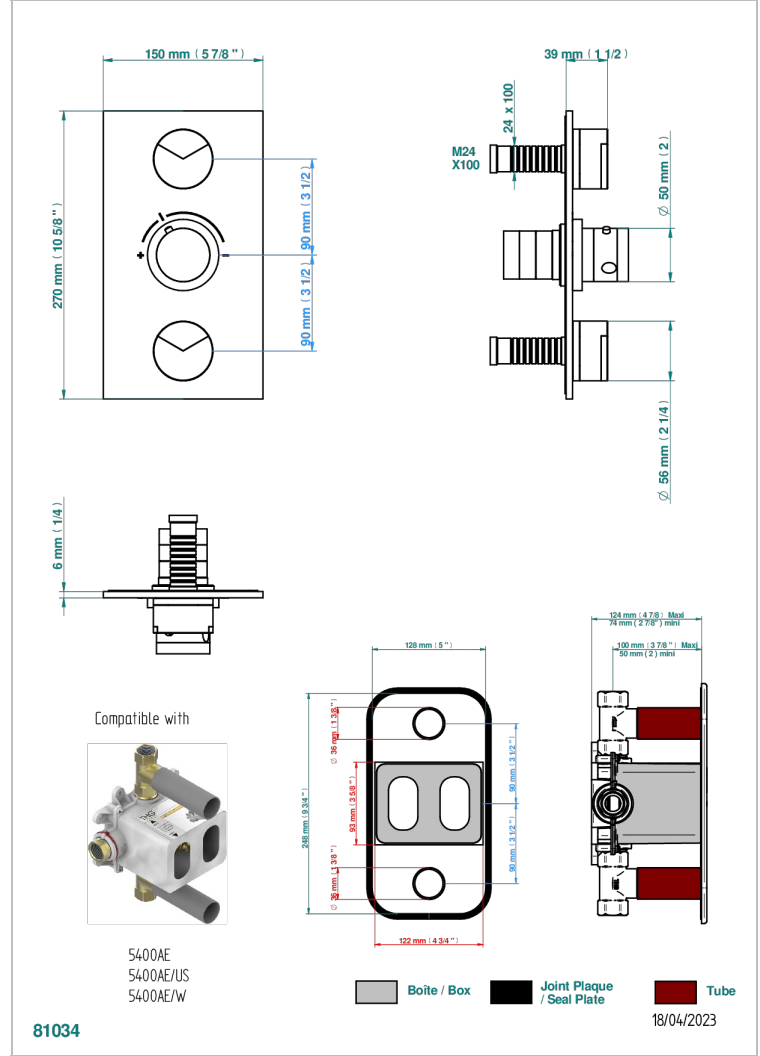
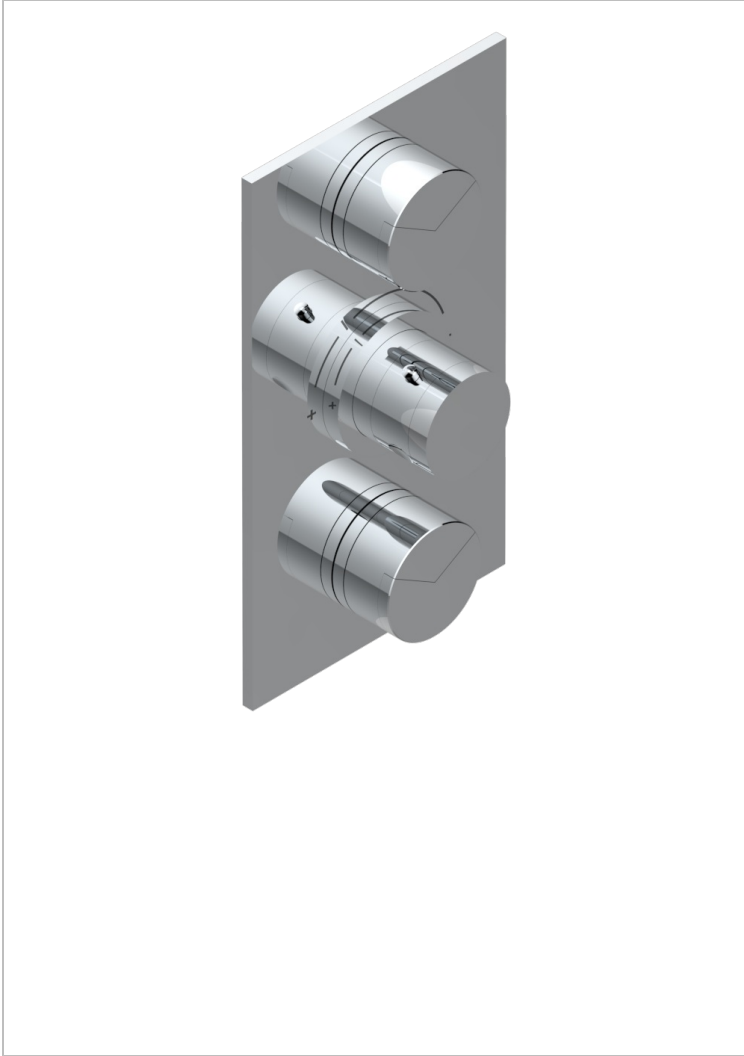


Trim for THG thermostat 2 volume controls, rough part supplied with fixing box ref. 5 400AE/US



CHARACTERISTIC

- ASME : ASME A112.18.1-2011/CSA B125.1-11
- DVGW : DW-6512CQ0608

STANDARDS



RELATED SKU'S

- Ref. G00-5400AE/US 3/4" THG thermostat with wax cartridge, with two valves delivered with a built-in box, no trim
- Ref. G00-5100G Reinforced stop ring for THG thermostatic with fixing set

AVAILABLE FINITIONS

Black ceram - D30
 Blush PVD - H62
 Brass color PVD - H49
 Brown bronze color PVD - F33
 Chrome polished - A02
 Gold color PVD - H52

Gold mat - F07
 Gold polished - F01
 Graphite PVD - H64
 Light coated bronze - D01
 Matt Umber PVD - H67
 Matt blush PVD - H60

Matt brass color PVD - H50
 Matt brown bronze color PVD - F34
 Matt chrome (American satin) - C02
 Matt gold color PVD - H53
 Matt graphite PVD - H65
 Matt nickel (American satin) - C01

Matt nickel color PVD - H56
 Natural smoked Brass - A13
 Nickel antique / Sovereign - H28
 Nickel color PVD - H55
 Nickel polished - B01
 Polished chrome with gold inlay - GA1

Soft gold - F30
 Soft matt gold - F31
 Umber PVD - H66