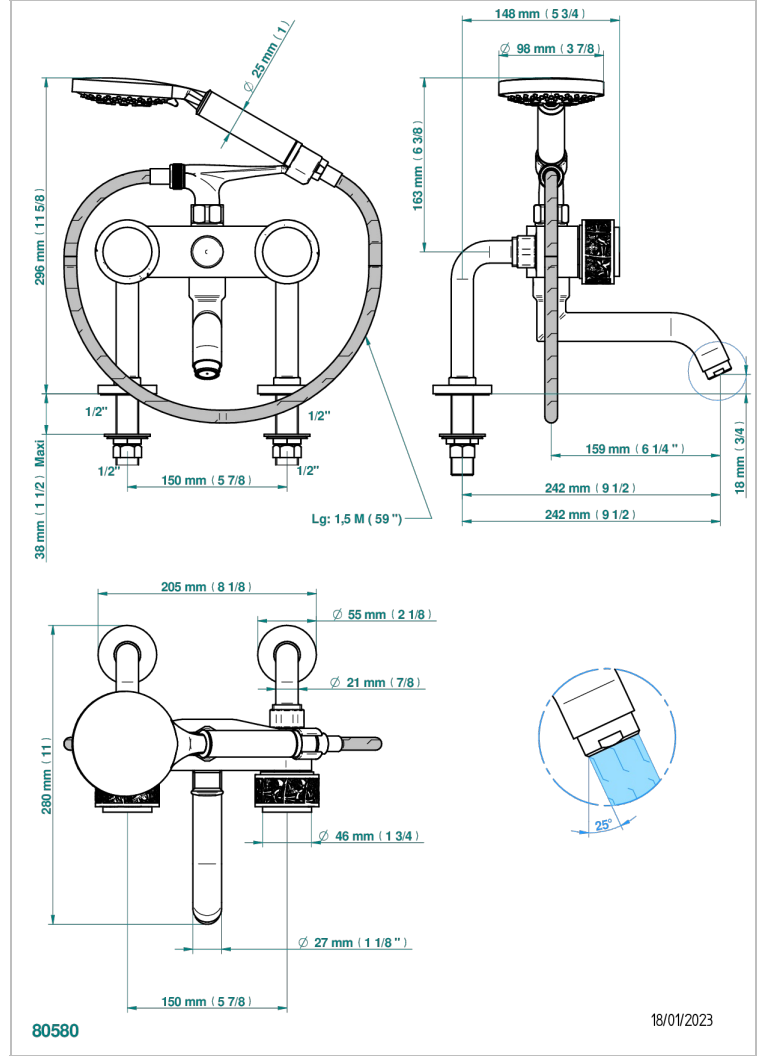


# NEW PARADISE

U5P-13G/US

Exposed tub filler with cradle handshower, deck mounted

THG<sup>®</sup>  
PARIS



## CHARACTERISTIC

- ASME : ASME A112.18.1-2011/CSA B125.1-11

## STANDARDS



## AVAILABLE FINITIONS

- Black ceram - D30
- Blush PVD - H62
- Brass color PVD - H49
- Brown bronze color PVD - F33
- Chrome polished - A02
- Gold color PVD - H52

- Gold mat - F07
- Gold polished - F01
- Graphite PVD - H64
- Light coated bronze - D01
- Matt Umber PVD - H67
- Matt blush PVD - H60

- Matt brass color PVD - H50
- Matt brown bronze color PVD - F34
- Matt chrome (American satin) - C02
- Matt gold color PVD - H53
- Matt graphite PVD - H65
- Matt nickel (American satin) - C01

- Matt nickel color PVD - H56
- Nickel antique / Sovereign - H28
- Nickel color PVD - H55
- Nickel polished - B01
- Soft matt gold - F31
- Umber PVD - H66