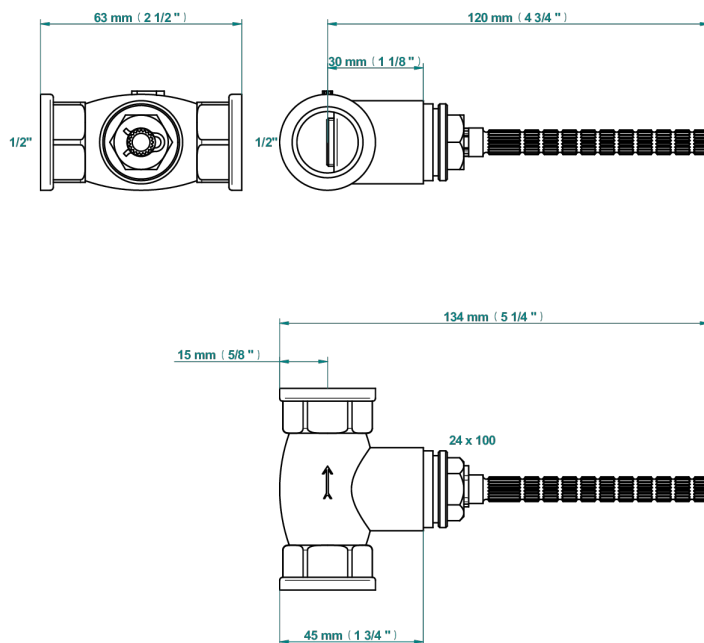
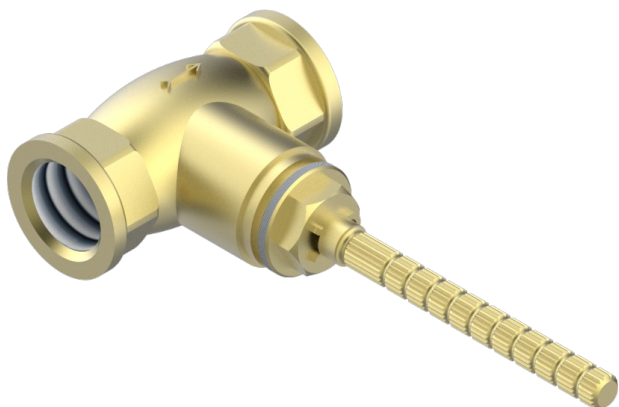


# GENERAL PRODUCTS

G00-30CUSA

1/2" volume control wall valve with ceramic cartridge



8057

06/09/2022

## CHARACTERISTIC

- General Products
- 1/2" volume control wall valve with ceramic cartridge

## AVAILABLE FINITIONS

\*\*\* - A00