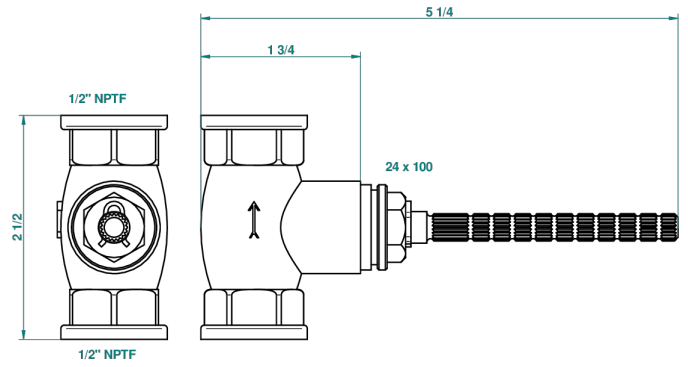
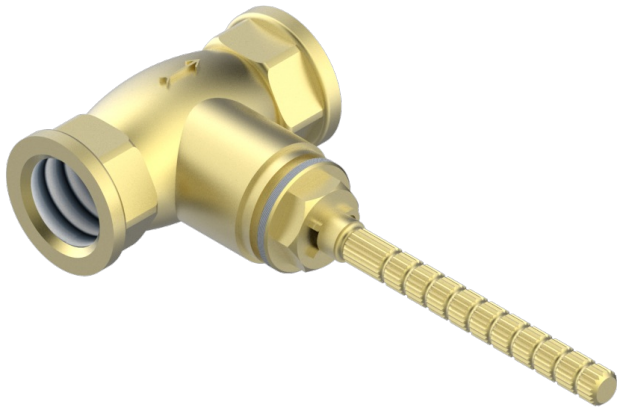


GENERAL PRODUCTS

G00-30HUSA

1/2" Volume control wall valve with ceramic cartridge counterclockwise



8056

16/02/2010

CHARACTERISTIC

- General Products
- 1/2" Volume control wall valve with ceramic cartridge counterclockwise

AVAILABLE FINITIONS

*** - A00