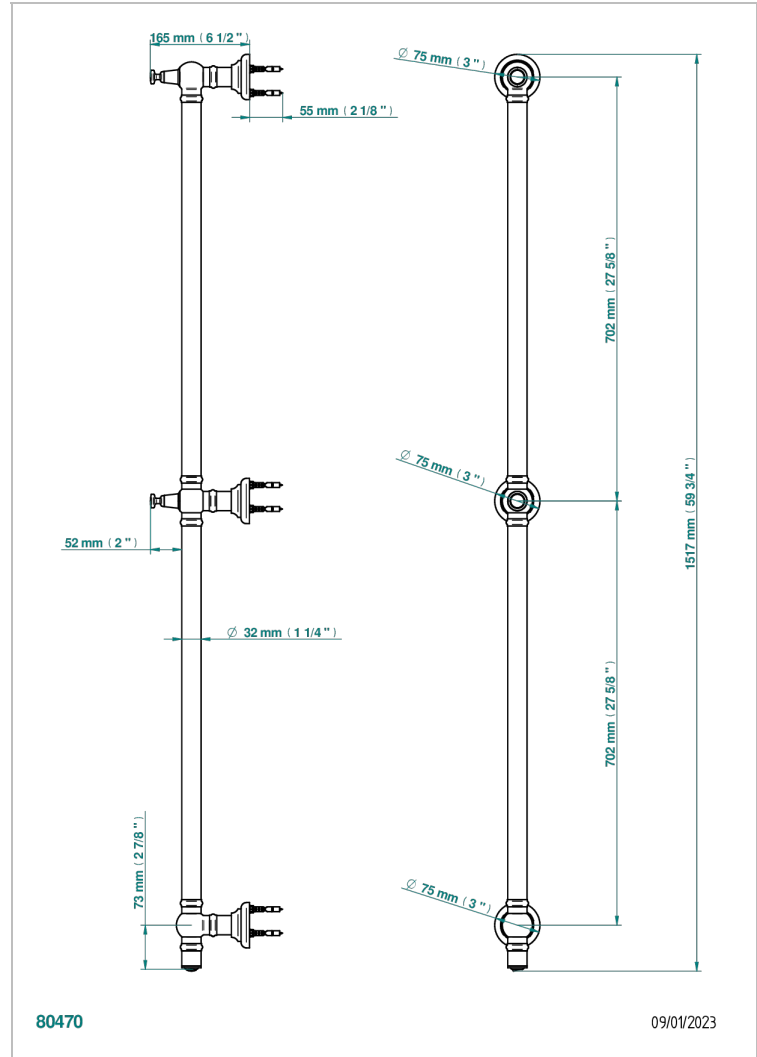
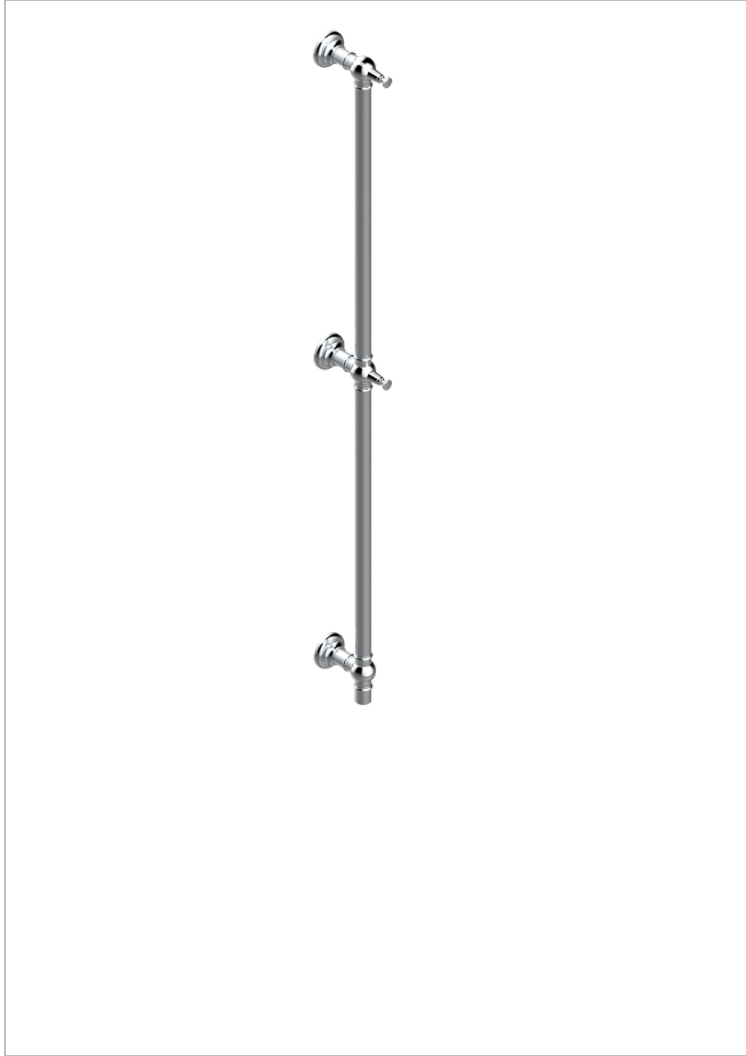


TOWEL WARMER - TRADITIONAL

B6A-TWBST1E

Traditional heated bathrobe holder, electric - Class 2

THG[®]
PARIS



CHARACTERISTIC

- Solid brass body, seamless
- Heating cable technology, without fluid
- Discreet integrated LED switch
- Concealed connection wire through a wall foot - length 200 cm.

Special dimensions on request

- Available in many finishes including PVD
- Voltage 110-230 V
- Heating cable CE class II, and UL (USA) and IPX4 certified
- Minimum recommended height/ floor : 60 cm
- Maximum Temperature : 60°C
- Heating power 45W
- To be installed with a differential circuit breaker

AVAILABLE FINITIONS

Black ceram - D30
Blush PVD - H62
Brass color PVD - H49
Gold color PVD - H52
Graphite PVD - H64
Lacquered light bronze - D01

Matt Umber PVD - H67
Matt blush PVD - H60
Matt brass color PVD - H50
Matt chrome - C02
Matt gold - F07
Matt gold color PVD - H53

Matt graphite PVD - H65
Matt nickel (color finish) - C01
Matt nickel color PVD - H56
Nickel color PVD - H55
Polished chrome (color finish) - A02
Polished chrome / Polished gold (color finish) - G02

Polished gold (color finish) - F01
Polished nickel - B01
Soft gold - F30
Soft matt gold - F31
Umber PVD - H66