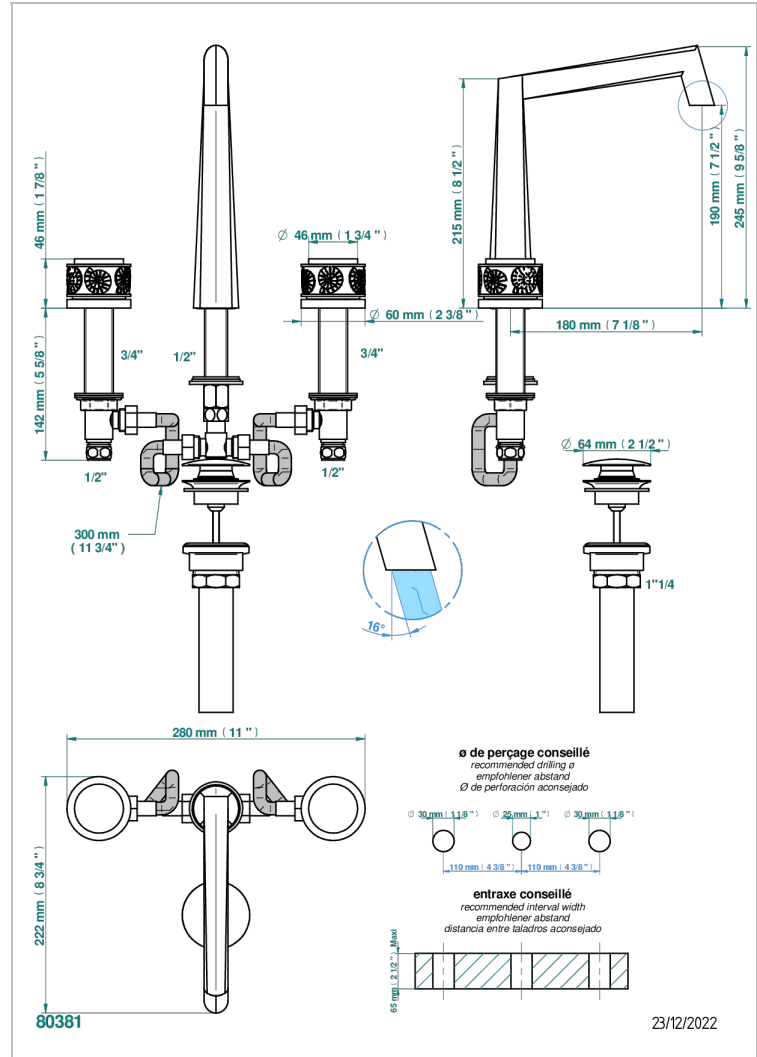


# NEW ISLAND

U5N-151M/US

Rim mounted 3-hole basin mixer with waste for marble



## CARACTERÍSTICAS

- New Island
- Rim mounted 3-hole basin mixer with waste for marble

## ACABADOS DISPONIBLES

Bronce claro - D01  
Cerámica negra mate - D30  
Cromo - A02  
Cromo mate - C02  
Dorado - F01  
Dorado mate - F07

Dorado pálido mate (sin barniz) - F31  
Níquel - B01  
Níquel mate - C01  
Níquel viejo - H28  
Pvd blush - H62  
Pvd blush mate - H60

Pvd color latón - H49  
Pvd color latón mate - H50  
Pvd color níquel - H55  
Pvd color níquel mate - H56  
Pvd color oro - H52  
Pvd color oro mate - H53

Pvd grafito - H64  
Pvd grafito mate - H65  
Pvd marrón bronce - F33  
Pvd marrón bronce mate - F34  
Pvd umber - H66  
Pvd umber mate - H67