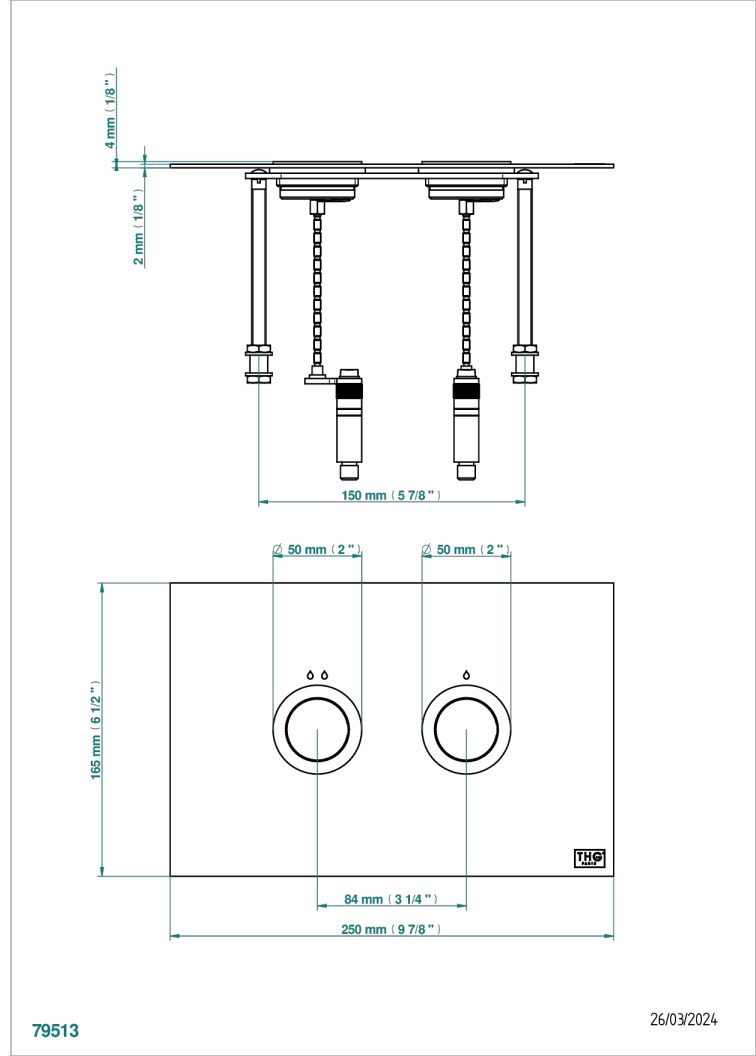


GENERAL ITEMS

G00-219DC

Contemporary flush plate, for horizontal installation, compatible with GEBERIT OMEGA tank

THG
PARIS



79513

26/03/2024

特色

- General Items
- Contemporary flush plate, for horizontal installation, compatible with GEBERIT OMEGA tank

可选饰面

Black ceram - D30
Blush PVD - H62
Graphite PVD - H64
Matt Umber PVD - H67
Matt blush PVD - H60
Matt graphite PVD - H65

PVD哑光棕铜 - F34
PVD哑光金 - H53
PVD哑光铜 - H50
PVD哑光镍 - H56
PVD抛光铜 - H49
PVD棕铜 - F33

PVD金色 - H52
PVD镍 - H55
Umber PVD - H66
哑光复古铜 - H07
哑光浅金 - F31
哑光金 - F07

哑光铬 - C02
哑光镍 - C01
复古镍 - H28
抛光金 (24K金) - F01
抛光铬 - A02
抛光铬/抛光金 - G02

抛光镍 - B01
浅金 - F30
漆面铜 - D01