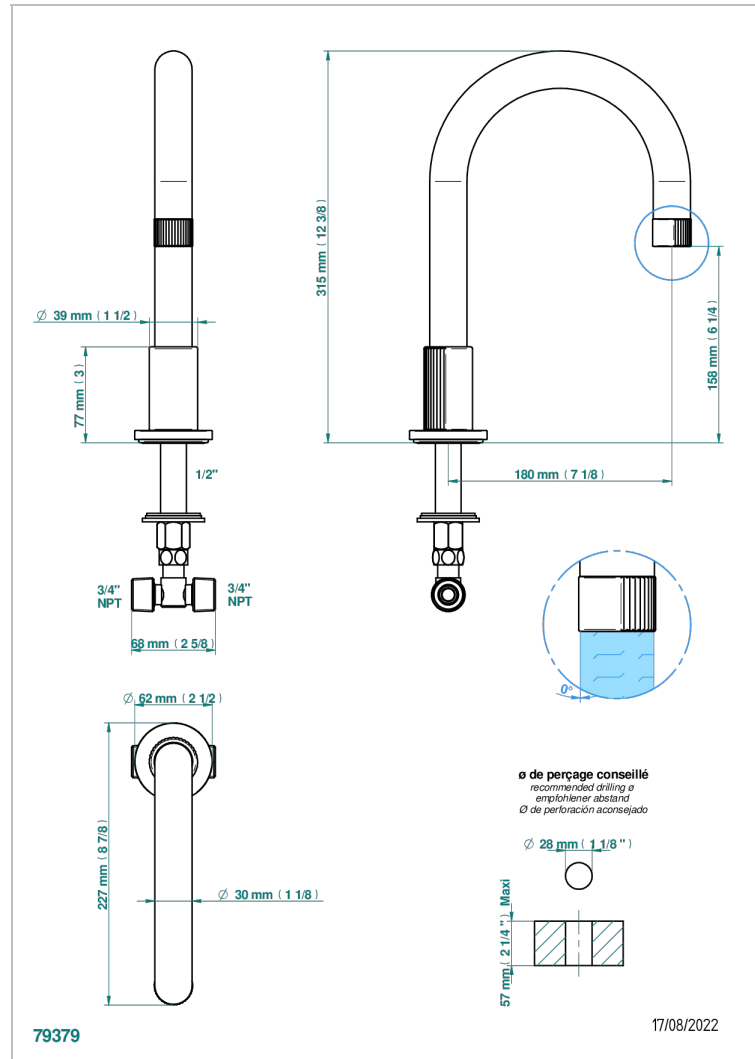


# ESTRELA METAL INLAYS

U3L-29SGH

Tub spout, high

THG<sup>®</sup>  
PARIS



## CHARACTERISTIC

- Estrela Metal inlays
- Tub spout, high

## TECHNICAL SPECS

- Recommandé : 3 bars (max. 5 bars) - Advised : 43,5 psi (max. 72 psi)
- 48 l/min à 3 bars (12.7 gpm at 43.5 psi)

## AVAILABLE FINITIONS

Black ceram - D30  
Blush PVD - H62  
Brass color PVD - H49  
Brown bronze color PVD - F33  
Chrome polished - A02  
Gold color PVD - H52

Gold mat - F07  
Gold polished - F01  
Graphite PVD - H64  
Matt Umber PVD - H67  
Matt blush PVD - H60  
Matt brass color PVD - H50

Matt brown bronze color PVD - F34  
Matt chrome (American satin) - C02  
Matt gold color PVD - H53  
Matt graphite PVD - H65  
Matt nickel (American satin) - C01  
Matt nickel color PVD - H56

Natural smoked Brass - A13  
Nickel antique / Sovereign - H28  
Nickel color PVD - H55  
Nickel polished - B01  
Polished chrome with gold inlay - GA1  
Soft gold - F30

Soft matt gold - F31  
Umber PVD - H66

ø de perçage conseillé  
recommended drilling ø  
empfohlenes Bohrmaß  
Ø de perforación aconsejado

ø 28 mm ( 1 1/8 \"

57 mm ( 2 1/4 \"

17/08/2022