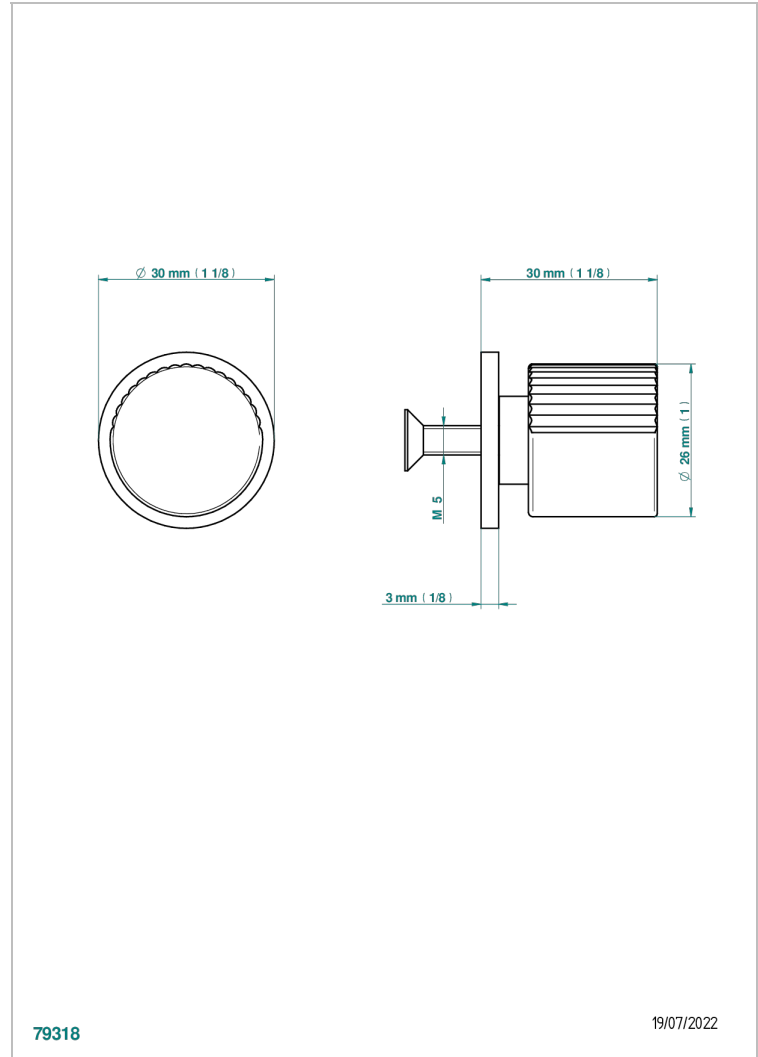
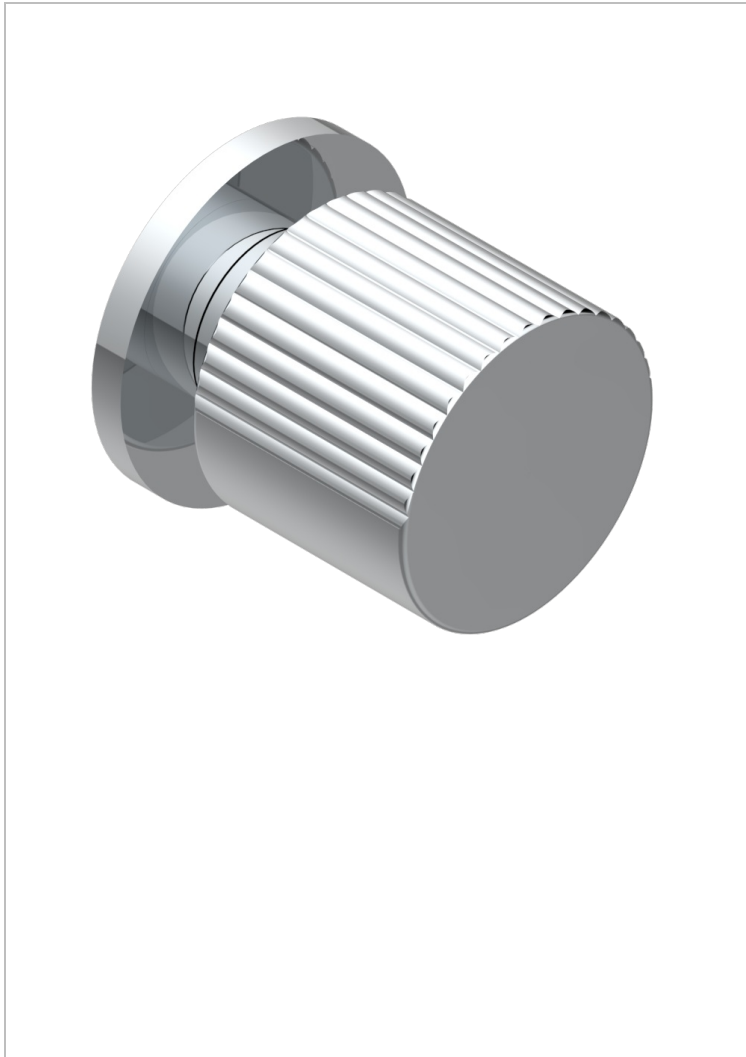


ESTRELA METALLEINLAGE

U3L-26BP

Mittelgroßer Knopf

THG[®]
PARIS



79318

19/07/2022

EIGENSCHAFTEN

- Estrela Metalleinlage
- Mittelgroßer Knopf

VERFÜGBARE OBERFLÄCHEN

Altnickel - H28
Blassgold - F30
Blassgold matt unlackiert - F31
Chrom - A02
Chrom matt - C02
Gold - F01

Gold matt - F07
Mattschwarz keramik - D30
Natural smoked Brass - A13
Nickel matt - C01
Polished chrome with gold inlay - GA1
Pvd blush - H62

Pvd blush matt - H60
Pvd bronze braun - F33
Pvd bronze braun matt - F34
Pvd gold - H52
Pvd gold matt - H53
Pvd graphite - H64

Pvd graphite matt - H65
Pvd messing - H49
Pvd messing matt - H50
Pvd nickel - H55
Pvd nickel matt - H56
Pvd umber - H66

Pvd umber matt - H67
Silberrnickel - B01