

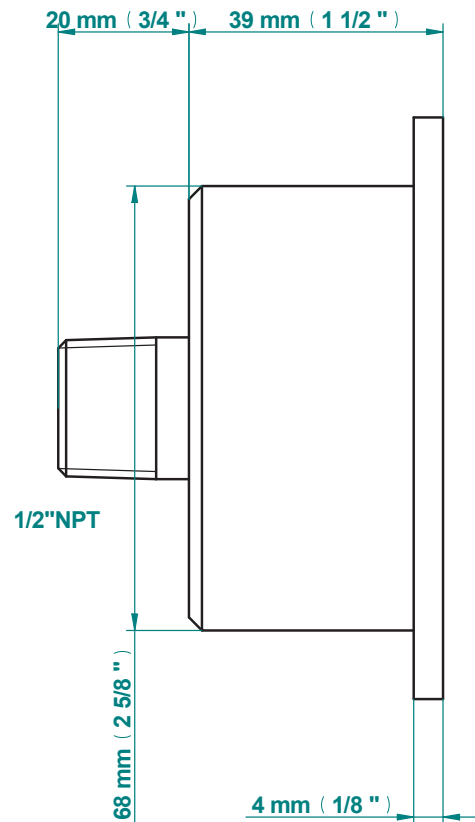
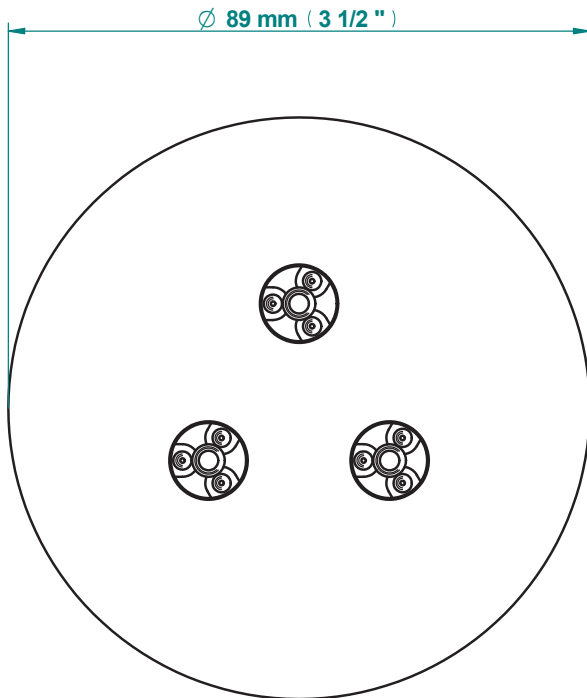
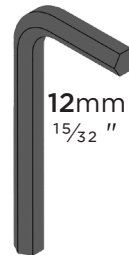
FR Jet brumisateur

EN Soft mist jet

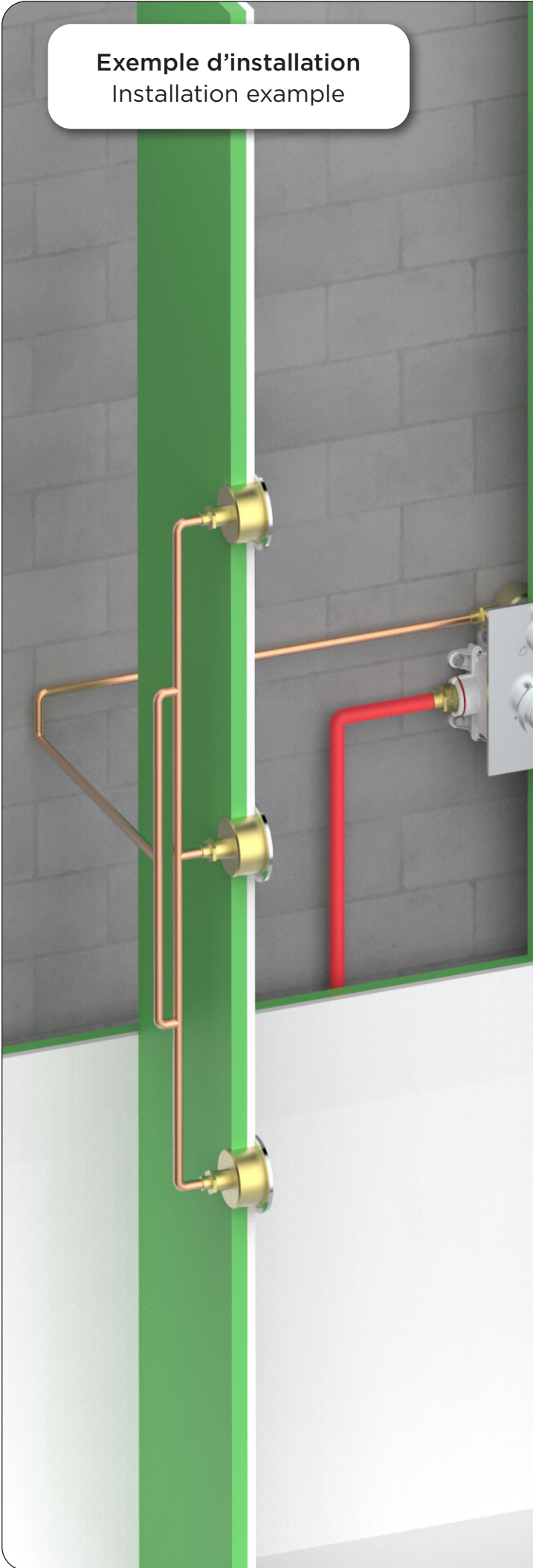
Outillage (Non-fourni)
Tools (Not provided)

Ø
70-73mm

2 3/4 " - 2 7/8 "



Exemple d'installation
Installation example



Ref. 5500AE & 5500BE
Non fourni
Not provided

**Entraxe
conseillé**
Recommended
interval width



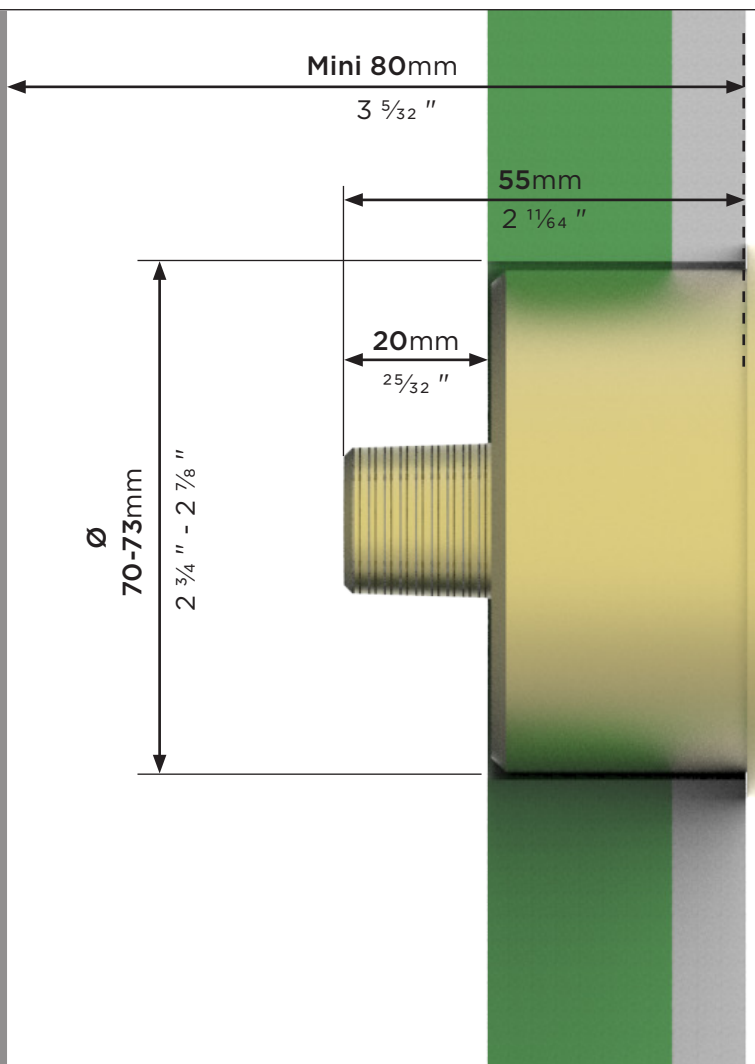
400mm
15 3/4 "



400mm
15 3/4 "



600mm
23 5/8 "



Dimensions d'installation et raccordement
Installation dimensions and connection

