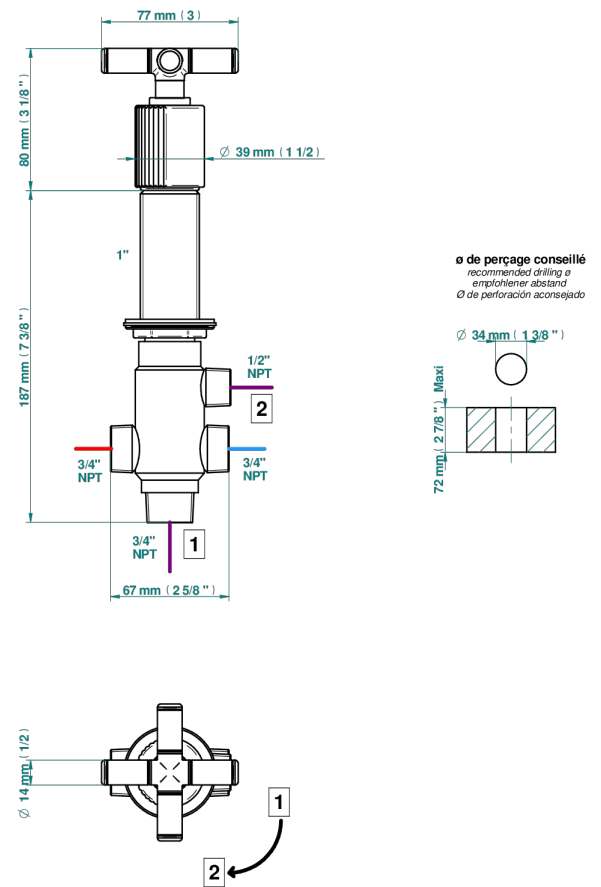


ESTRELA METAL INLAYS

U3L-50/4/VG

Rim mounted 4 way diverter : 2 inlets and 2 outlets



78843

12/04/2022

CHARACTERISTIC

- Estrela Metal inlays
- Rim mounted 4 way diverter : 2 inlets and 2 outlets

TECHNICAL SPECS

- Recommandé : 3 bars (max. 5 bars) - Advised : 43,5 psi (max. 72 psi)
- débit sortie Douchette 1/2 : 50 l/min à 3 bars - fonction 1/2 : 13,2 gpm at 43.5 psi
- débit sortie Bec 3/4 : 70 l/min - fonction 3/4 : 18,5 gpm at 43.5 psi

AVAILABLE FINITIONS

Antique nickel - H28
Black ceram - D30
Blush PVD - H62
Brass color PVD - H49
Brown bronze color PVD - F33
Gold color PVD - H52

Graphite PVD - H64
Matt Umber PVD - H67
Matt blush PVD - H60
Matt brass color PVD - H50
Matt brown bronze color PVD - F34
Matt chrome - C02

Matt gold - F07
Matt gold color PVD - H53
Matt graphite PVD - H65
Matt nickel (color finish) - C01
Matt nickel color PVD - H56
Natural smoked Brass - A13

Nickel color PVD - H55
Polished chrome (color finish) - A02
Polished chrome with gold inlay - GA1
Polished gold (color finish) - F01
Polished nickel - B01
Soft gold - F30

Soft matt gold - F31
Umber PVD - H66