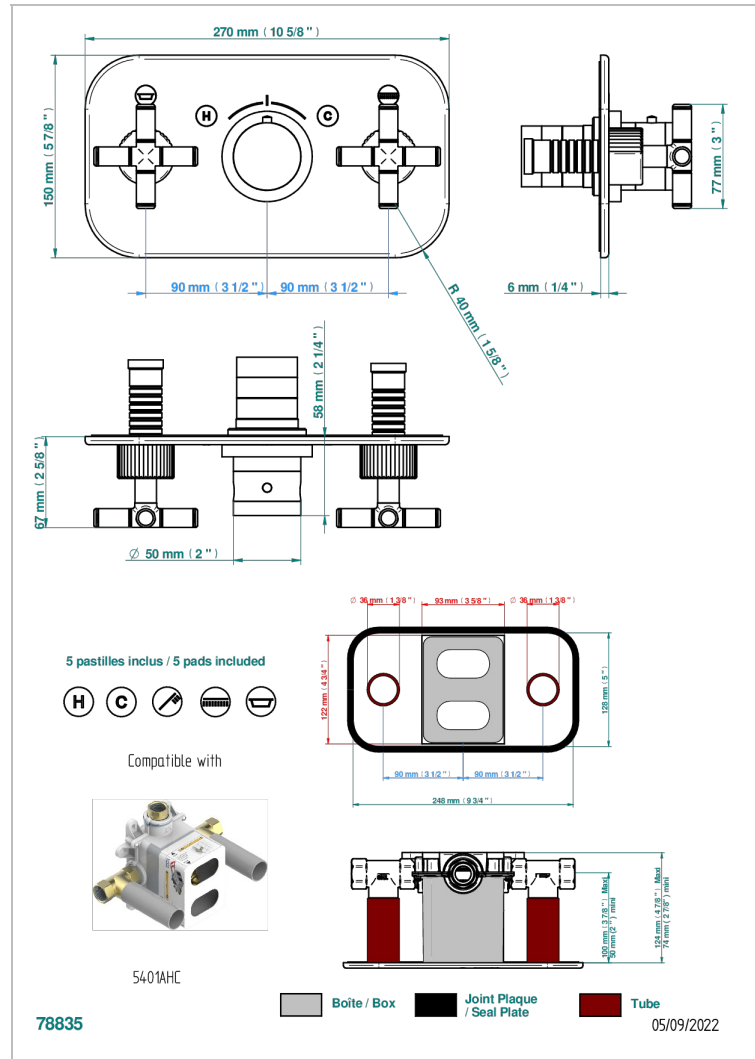


# ESTRELA METAL INLAYS

U3L-5401BEH

Trim for THG thermostat with 2 valves ref. 5 401AHM/US rough part supplied with fixing box , item to be installed horizontal



## CHARACTERISTIC

- Estrela Metal inlays
- Trim for THG thermostat with 2 valves ref. 5 401AHM/US rough part supplied with fixing box , item to be installed horizontal

## AVAILABLE FINITIONS

Black ceram - D30  
Blush PVD - H62  
Brass color PVD - H49  
Brown bronze color PVD - F33  
Chrome polished - A02  
Gold color PVD - H52

Gold mat - F07  
Gold polished - F01  
Graphite PVD - H64  
Matt Umber PVD - H67  
Matt blush PVD - H60  
Matt brass color PVD - H50

Matt brown bronze color PVD - F34  
Matt chrome (American satin) - C02  
Matt gold color PVD - H53  
Matt graphite PVD - H65  
Matt nickel (American satin) - C01  
Matt nickel color PVD - H56

Natural smoked Brass - A13  
Nickel antique / Sovereign - H28  
Nickel color PVD - H55  
Nickel polished - B01  
Polished chrome with gold inlay - GA1  
Soft gold - F30

Soft matt gold - F31  
Umber PVD - H66