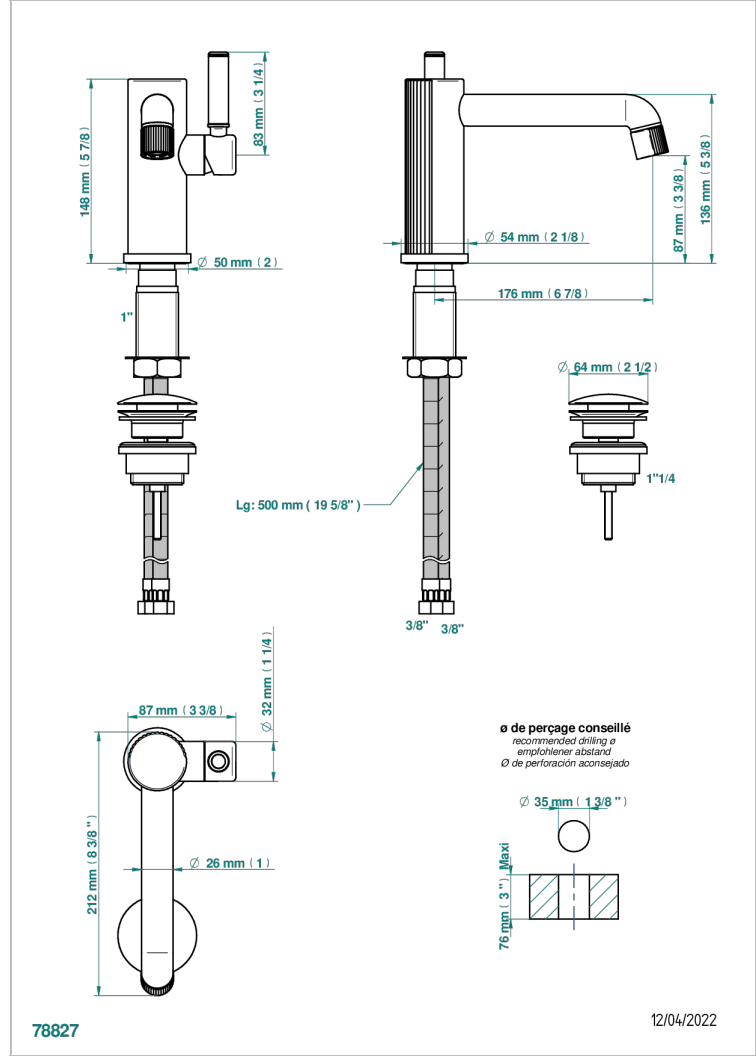


ESTRELA

U3J-6500

Single lever basin mixer with waste



CHARACTERISTIC

- ACS : 19ACCLY542

TECHNICAL SPECS

- Recommandé : 3 bars (max. 5 bars) - Advised : 43,5 psi (max. 72 psi)
- 8,3 l/min à 3 bars (2.2 gpm at 43.5 psi)

STANDARDS



AVAILABLE FINITIONS

- Antique nickel - H28
- Black ceram - D30
- Blush PVD - H62
- Brass color PVD - H49
- Brown bronze color PVD - F33
- Gold color PVD - H52

- Graphite PVD - H64
- Matt Umber PVD - H67
- Matt blush PVD - H60
- Matt brass color PVD - H50
- Matt brown bronze color PVD - F34
- Matt chrome - C02

- Matt gold - F07
- Matt gold color PVD - H53
- Matt graphite PVD - H65
- Matt nickel (color finish) - C01
- Matt nickel color PVD - H56
- Natural smoked Brass - A13

- Nickel color PVD - H55
- Polished chrome (color finish) - A02
- Polished gold (color finish) - F01
- Polished nickel - B01
- Soft gold - F30
- Soft matt gold - F31

- Umber PVD - H66