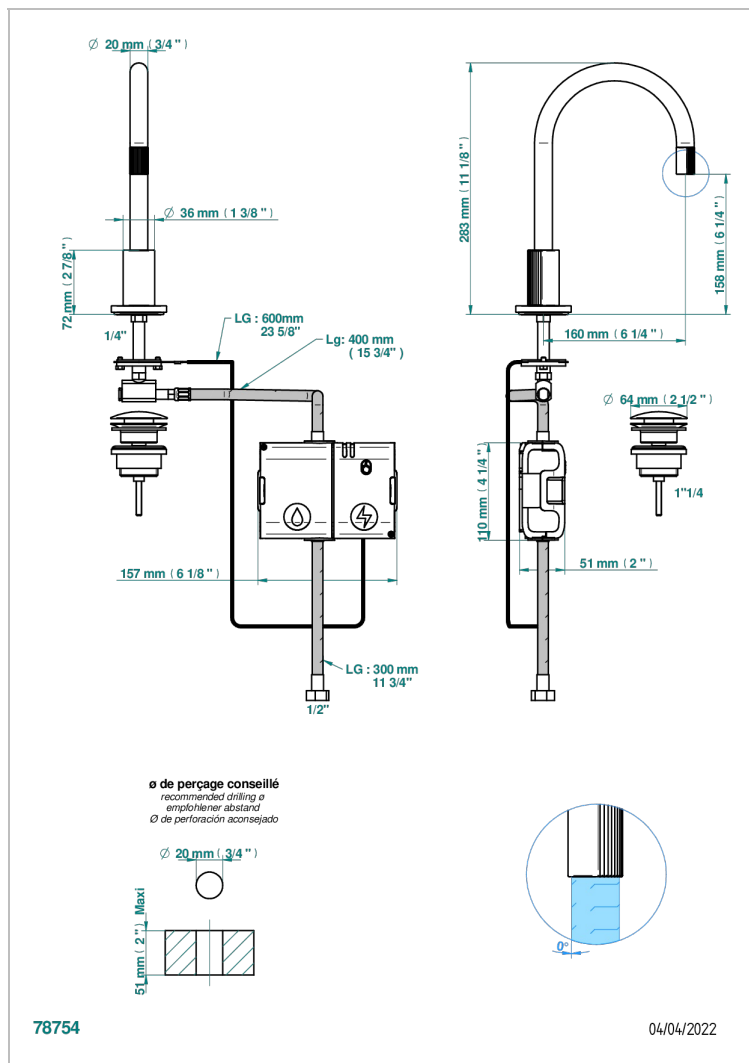


ESTRELA CON MANETAS

U3K-172E

Basin spout, high model, with capacitive electronic detection, with waste

THG[®]
PARIS



CARACTERÍSTICAS

- Estrela con manetas
- Basin spout, high model, with capacitive electronic detection, with waste

ESPECIFICACIONES TÉCNICAS

- Recommandé : 3 bars (max. 5 bars) - Advised : 43,5 psi (max. 72 psi)
- 8,3 l/min à 3 bars (2.2 gpm at 43.5 psi)

ACABADOS DISPONIBLES

Cerámica negra mate - D30
 Cromo - A02
 Cromo mate - C02
 Dorado - F01
 Dorado mate - F07
 Dorado pálido - F30

Dorado pálido mate (sin barniz) - F31
 Natural smoked Brass - A13
 Niquel - B01
 Niquel mate - C01
 Niquel viejo - H28
 Polished chrome with gold inlay - GA1

Pvd blush - H62
 Pvd blush mate - H60
 Pvd color latón - H49
 Pvd color latón mate - H50
 Pvd color níquel - H55
 Pvd color níquel mate - H56

Pvd color oro - H52
 Pvd color oro mate - H53
 Pvd grafito - H64
 Pvd grafito mate - H65
 Pvd marrón bronce - F33
 Pvd marrón bronce mate - F34

Pvd umber - H66
 Pvd umber mate - H67