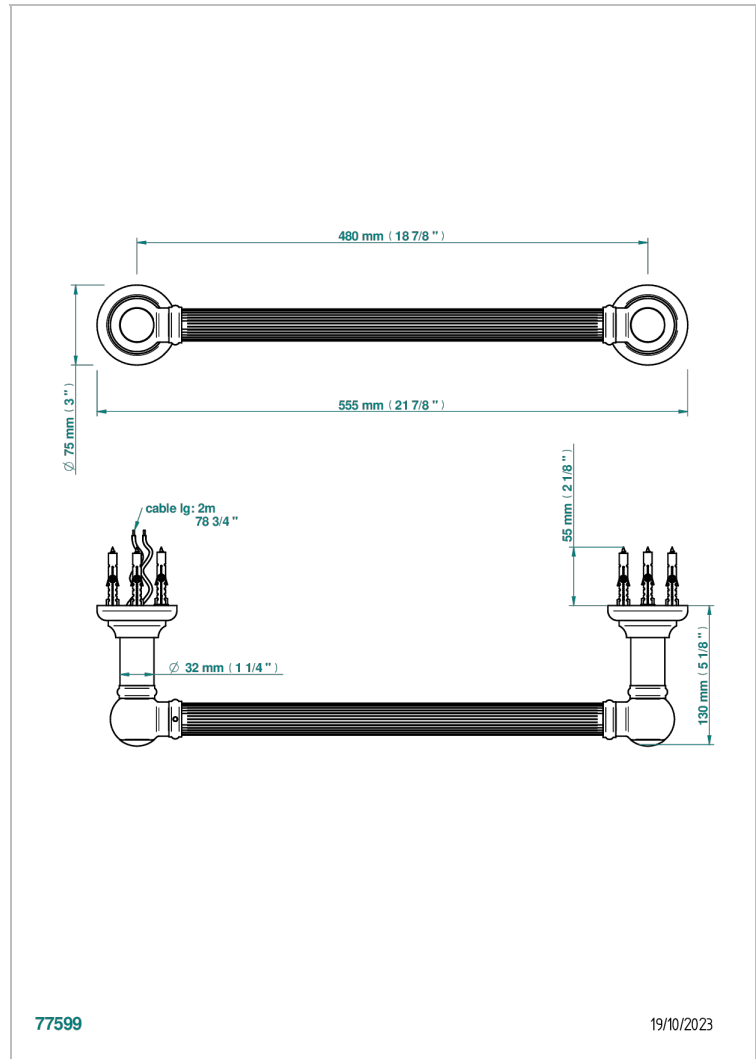


TOWEL WARMER - TRADITIONAL

B6A-TWF1E

Traditional Single bar heated towel warmer with fluted tube,electric - Class 2



CHARACTERISTIC

- Towel Warmer - Traditional
- Traditional Single bar heated towel warmer with fluted tube,electric - Class 2

AVAILABLE FINITIONS

Black ceram - D30
Blush PVD - H62
Brass color PVD - H49
Gold color PVD - H52
Graphite PVD - H64
Lacquered light bronze - D01

Matt Umber PVD - H67
Matt blush PVD - H60
Matt brass color PVD - H50
Matt chrome - C02
Matt gold - F07
Matt gold color PVD - H53

Matt graphite PVD - H65
Matt nickel (color finish) - C01
Matt nickel color PVD - H56
Nickel color PVD - H55
Polished chrome (color finish) - A02
Polished chrome / Polished gold (color finish) - G02

Polished gold (color finish) - F01
Polished nickel - B01
Soft gold - F30
Soft matt gold - F31
Umber PVD - H66