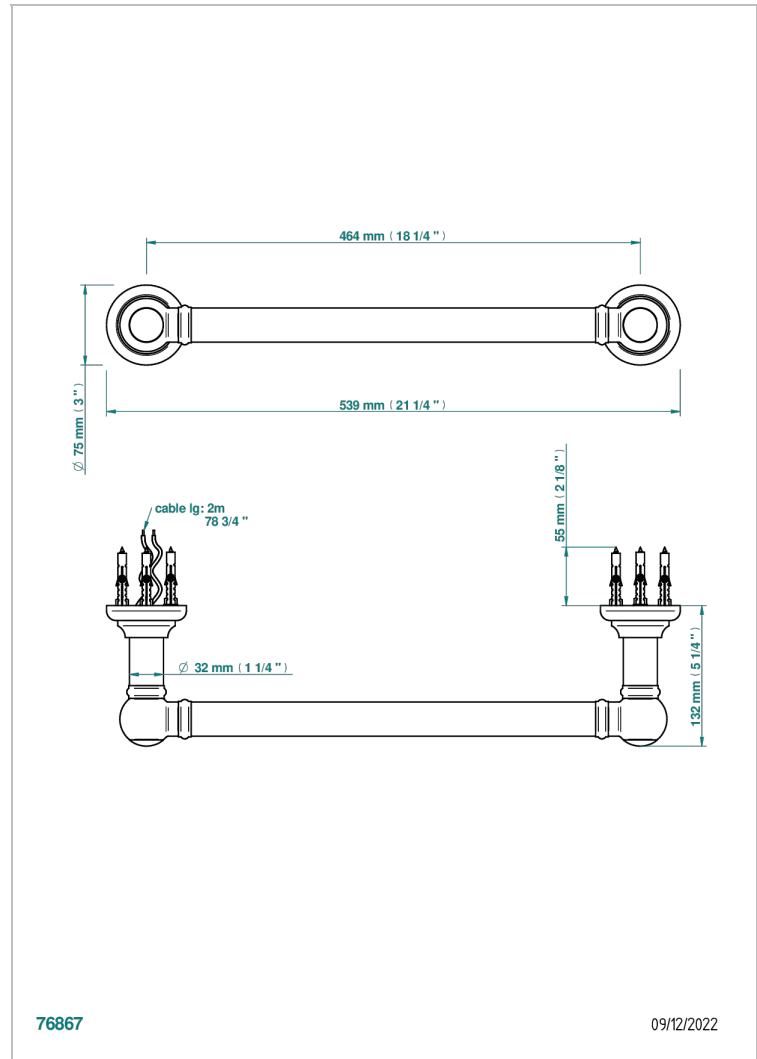


# TOWEL WARMER - TRADITONAL

B6A-TWT1E

Traditional Single bar heated towel warmer , electric - Class 2

THG<sup>®</sup>  
PARIS



## CARACTERÍSTICAS

- Towel Warmer - Traditonal
- Traditional Single bar heated towel warmer , electric - Class 2

## ACABADOS DISPONIBLES

Bronce claro - D01  
Cerámica negra mate - D30  
Cromo - A02  
Cromo / dorado - G02  
Cromo mate - C02  
Dorado - F01

Dorado mate - F07  
Dorado pálido - F30  
Dorado pálido mate (sin barniz) - F31  
Níquel - B01  
Níquel mate - C01  
Pvd blush - H62

Pvd blush mate - H60  
Pvd color latón - H49  
Pvd color latón mate - H50  
Pvd color níquel - H55  
Pvd color níquel mate - H56  
Pvd color oro - H52

Pvd color oro mate - H53  
Pvd grafito - H64  
Pvd grafito mate - H65  
Pvd umber - H66  
Pvd umber mate - H67