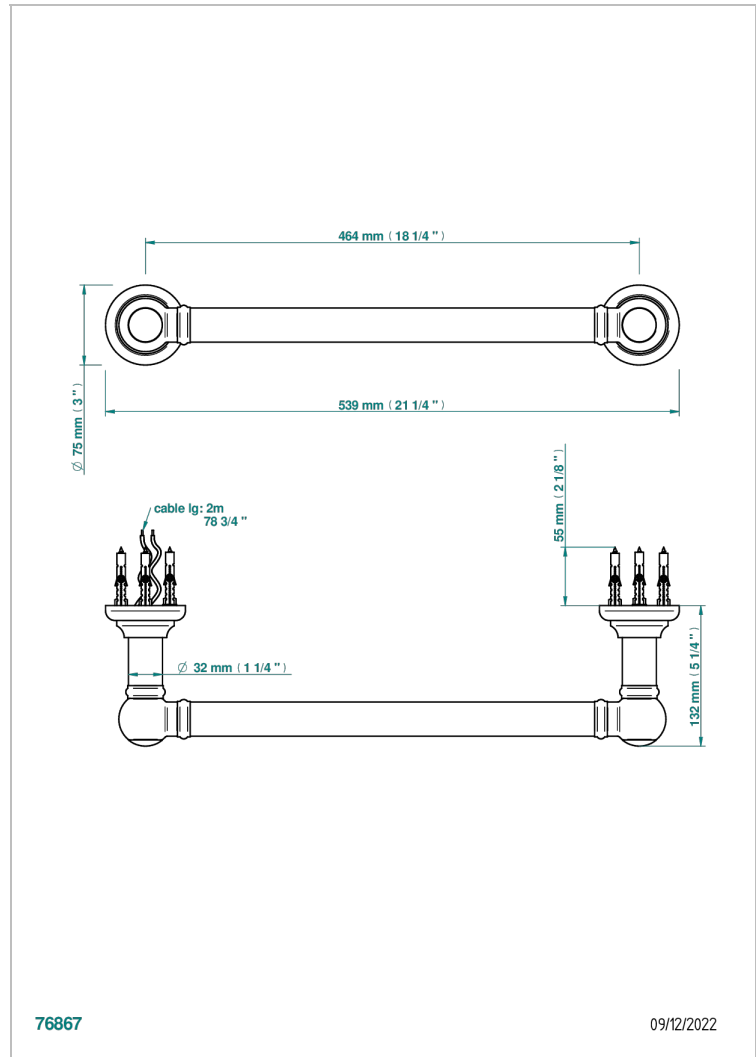


# TOWEL WARMER - TRADITONAL

B6A-TWT1E

Traditional Single bar heated towel warmer , electric - Class 2

THG<sup>®</sup>  
PARIS



## CHARACTERISTIC

- Towel Warmer - Traditonal
- Traditional Single bar heated towel warmer , electric - Class 2

## AVAILABLE FINITIONS

Black ceram - D30  
Blush PVD - H62  
Brass color PVD - H49  
Gold color PVD - H52  
Graphite PVD - H64  
Lacquered light bronze - D01

Matt Umber PVD - H67  
Matt blush PVD - H60  
Matt brass color PVD - H50  
Matt chrome - C02  
Matt gold - F07  
Matt gold color PVD - H53

Matt graphite PVD - H65  
Matt nickel (color finish) - C01  
Matt nickel color PVD - H56  
Nickel color PVD - H55  
Polished chrome (color finish) - A02  
Polished chrome / Polished gold (color finish) - G02

Polished gold (color finish) - F01  
Polished nickel - B01  
Soft gold - F30  
Soft matt gold - F31  
Umber PVD - H66