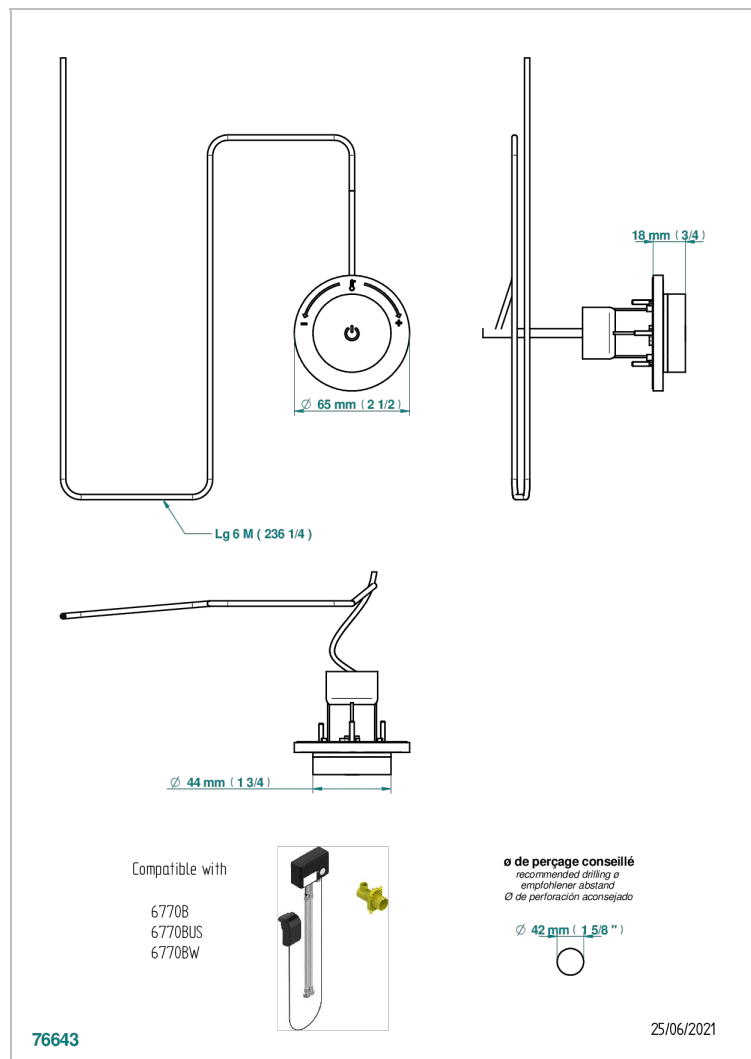


STANDARDARTIKEL

G00-6770RB

THG[®]
PARIS

Trim for electronic wall-mounted control, on/off and temperature control, round plate



EIGENSCHAFTEN

- Standardartikel
- Trim for electronic wall-mounted control, on/off and temperature control, round plate

ÄHNLICHE PRODUKTE

- Ref. G00-6770A Rough parts for electronic wall mounted control, on/off and temperature control

VERFÜGBARE OBERFLÄCHEN

Altnickel - H28
Altsilber lackiert - H03
Blassgold - F30
Blassgold matt unlackiert - F31
Bronze hell - D01
Chrom - A02

Chrom / gold - G02
Chrom matt - C02
Gold - F01
Gold matt - F07
Kupfer altrot matt lackiert - H07
Mattschwarz keramik - D30

Nickel matt - C01
Pvd blush - H62
Pvd blush matt - H60
Pvd bronze braun - F33
Pvd bronze braun matt - F34
Pvd gold - H52

Pvd gold matt - H53
Pvd graphite - H64
Pvd graphite matt - H65
Pvd messing - H49
Pvd messing matt - H50
Pvd nickel - H55

Pvd nickel matt - H56
Pvd umber - H66
Pvd umber matt - H67
Silbernickel - B01