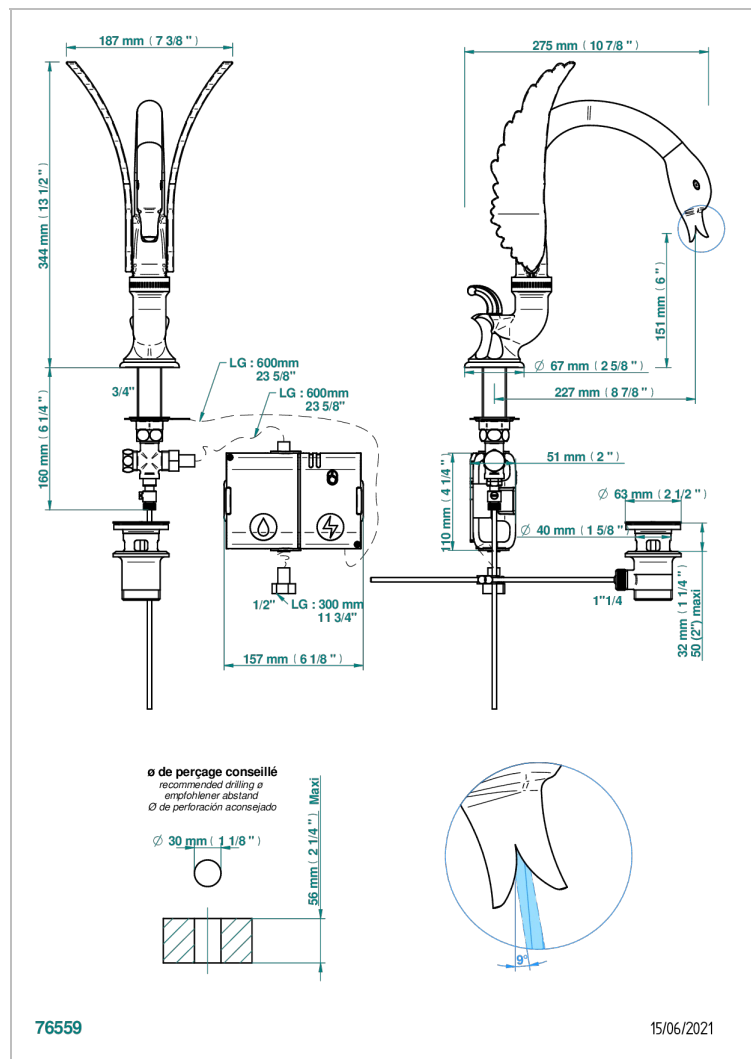


# MONTE CARLO - PORCELANA DORADO

U8B-172E

THG<sup>®</sup>  
PARIS

Basin spout, high model, with capacitive electronic detection, with waste



## CARACTERÍSTICAS

- Monte Carlo - porcelana dorado
- Basin spout, high model, with capacitive electronic detection, with waste

## ESPECIFICACIONES TÉCNICAS

- Recommandé : 3 bars (max. 5 bars) - Advised : 43,5 psi (max. 72 psi)
- Bec : 35 l/min à 3 bars
- Spout : 9.26 gpm at 43.5 psi

## ACABADOS DISPONIBLES

Bronce claro - D01  
Cerámica negra mate - D30  
Cobre viejo mate - H07  
Cromo - A02  
Cromo / dorado - G02  
Cromo mate - C02

Dorado - F01  
Dorado mate - F07  
Dorado pálido - F30  
Dorado pálido mate (sin barniz) - F31  
Níquel - B01  
Níquel mate - C01

Níquel viejo - H28