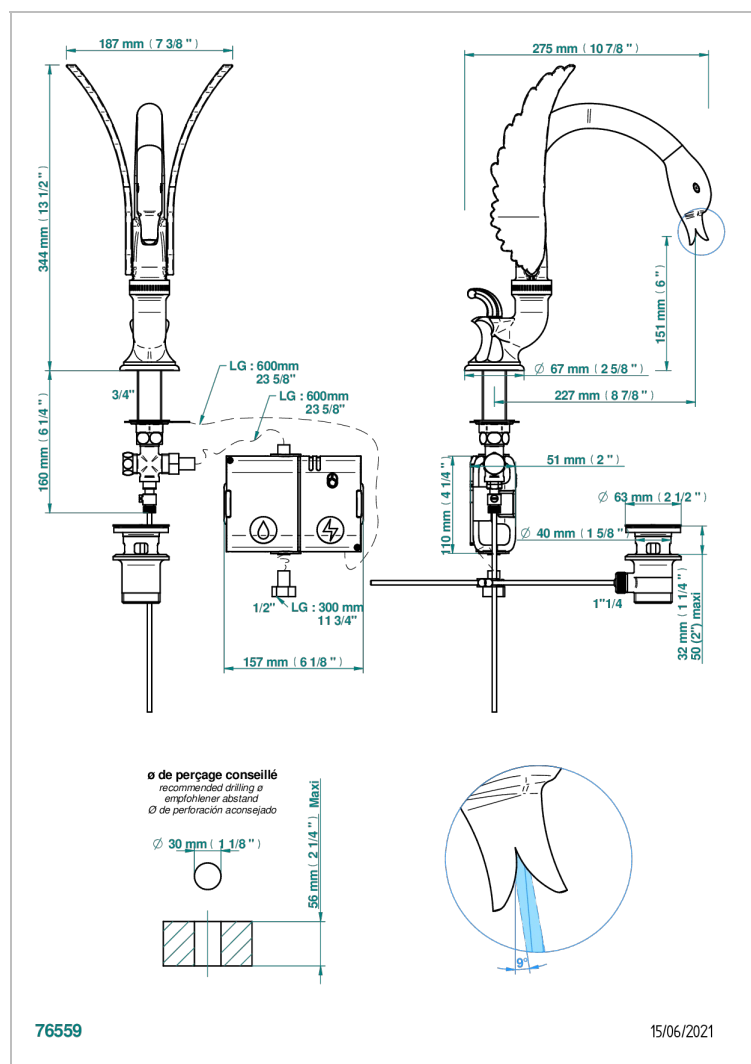
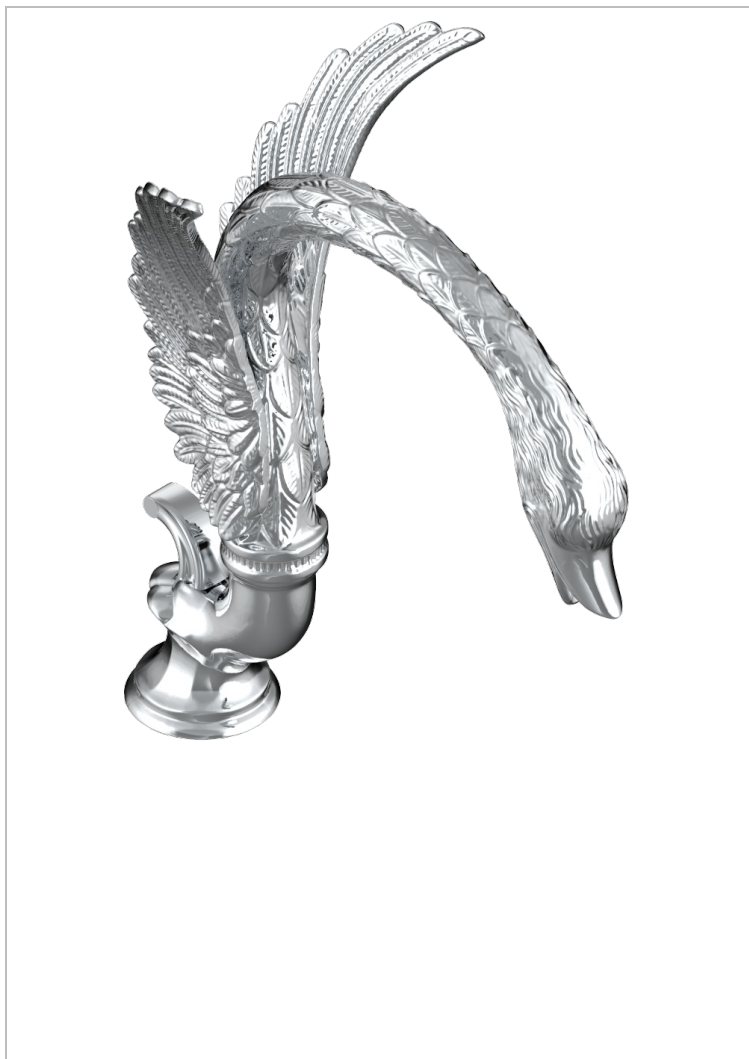


MONTE CARLO - SCHWARZES PORZELLAN, GOLD

U8B-172E

Basin spout, high model, with capacitive electronic detection, with waste



EIGENSCHAFTEN

- Monte Carlo - Schwarzes Porzellan, gold
- Basin spout, high model, with capacitive electronic detection, with waste

TECHNISCHE DATEN

- Recommandé : 3 bars (max. 5 bars) - Advised : 43,5 psi (max. 72 psi)
- Bec : 35 l/min à 3 bars
- Spout : 9.26 gpm at 43.5 psi

VERFÜGBARE OBERFLÄCHEN

Altnickel - H28
Blassgold - F30
Blassgold matt unlackiert - F31
Bronze hell - D01
Chrom - A02
Chrom / gold - G02

Chrom matt - C02
Gold - F01
Gold matt - F07
Kupfer altrot matt lackiert - H07
Mattschwarz keramik - D30
Nickel matt - C01

Silbernickel - B01