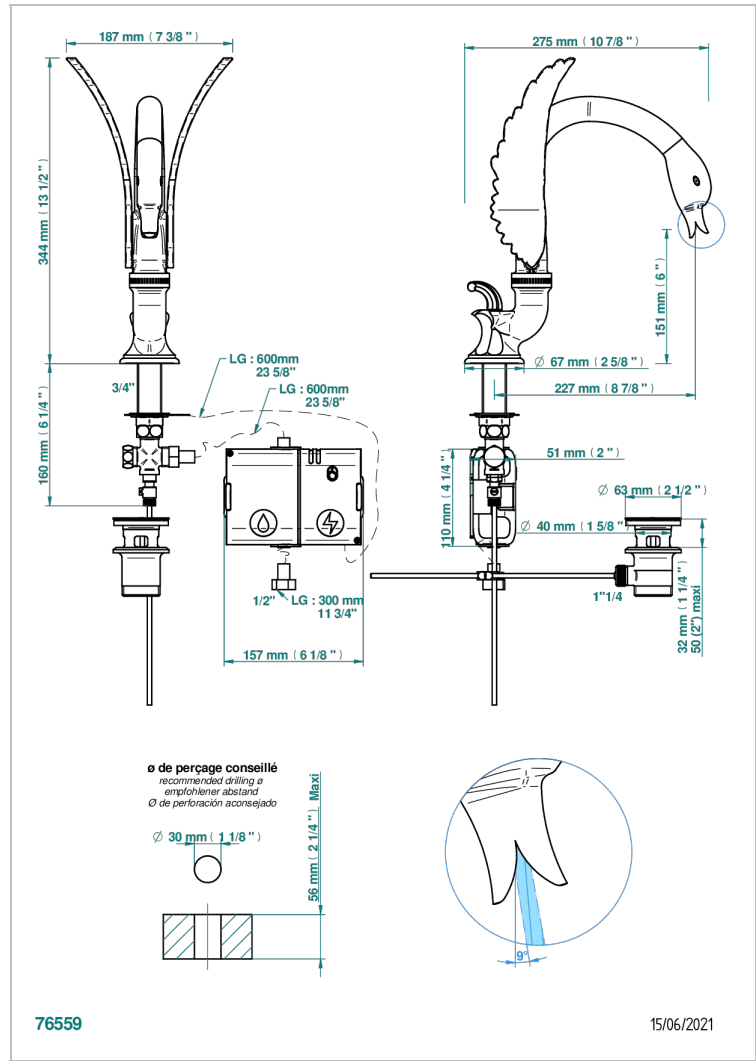


# MONTE CARLO, GOLD PORCELAIN

U8B-172E

Basin spout, high model, with capacitive electronic detection, with waste

THG<sup>®</sup>  
PARIS



## CHARACTERISTIC

- Monte Carlo, gold porcelain
- Basin spout, high model, with capacitive electronic detection, with waste

## TECHNICAL SPECS

- Recommandé : 3 bars (max. 5 bars) - Advised : 43,5 psi (max. 72 psi)
- Bec : 35 l/min à 3 bars
- Spout : 9.26 gpm at 43.5 psi

## AVAILABLE FINITIONS

Antique nickel - H28  
Black ceram - D30  
Lacquered light bronze - D01  
Matt chrome - CO2  
Matt gold - F07  
Matt nickel (color finish) - C01

Polished chrome (color finish) - A02  
Polished chrome / Polished gold (color finish) - G02  
Polished gold (color finish) - F01  
Polished nickel - B01  
Soft gold - F30  
Soft matt gold - F31

Varnished matt antique red copper (color finish) - H07