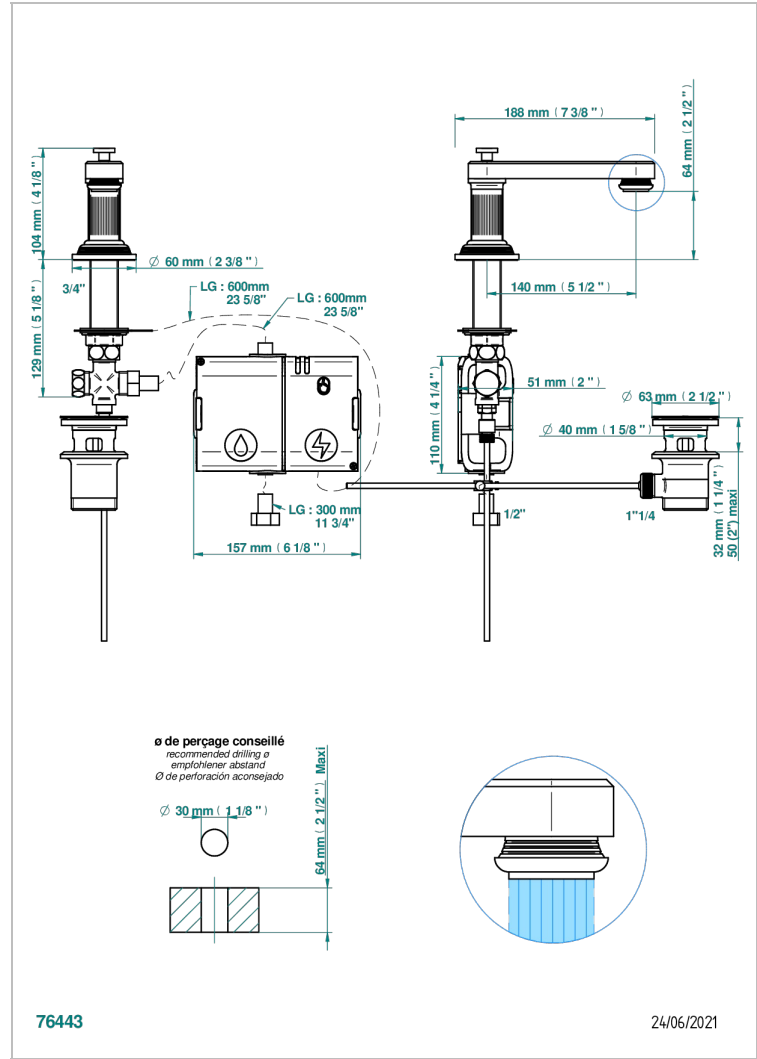


GRAND CENTRAL METAL

U9K-170E

Basin spout with capacitive electronic detection, with waste

THG
PARIS



CHARACTERISTIC

- ACS : 21ACCLY484

TECHNICAL SPECS

- Recommandé : 3 bars (max. 5 bars) - Advised : 43,5 psi (max. 72 psi)
- 8,3 l/min à 3 bars (2.2 gpm at 43.5 psi)

STANDARDS



AVAILABLE FINITIONS

Antique nickel - H28
 Black ceram - D30
 Blush PVD - H62
 Brass color PVD - H49
 Brown bronze color PVD - F33
 Gold color PVD - H52

Graphite PVD - H64
 Lacquered light bronze - D01
 Matt Umber PVD - H67
 Matt blush PVD - H60
 Matt brass color PVD - H50
 Matt brown bronze color PVD - F34

Matt chrome - C02
 Matt gold - F07
 Matt gold color PVD - H53
 Matt graphite PVD - H65
 Matt nickel (color finish) - C01
 Matt nickel color PVD - H56

Natural smoked Brass - A13
 Nickel color PVD - H55
 Polished chrome (color finish) - A02
 Polished chrome with gold inlay - GA1
 Polished gold (color finish) - F01
 Polished nickel - B01

Soft gold - F30
 Soft matt gold - F31
 Umber PVD - H66
 Varnished matt antique red copper (color finish) - H07