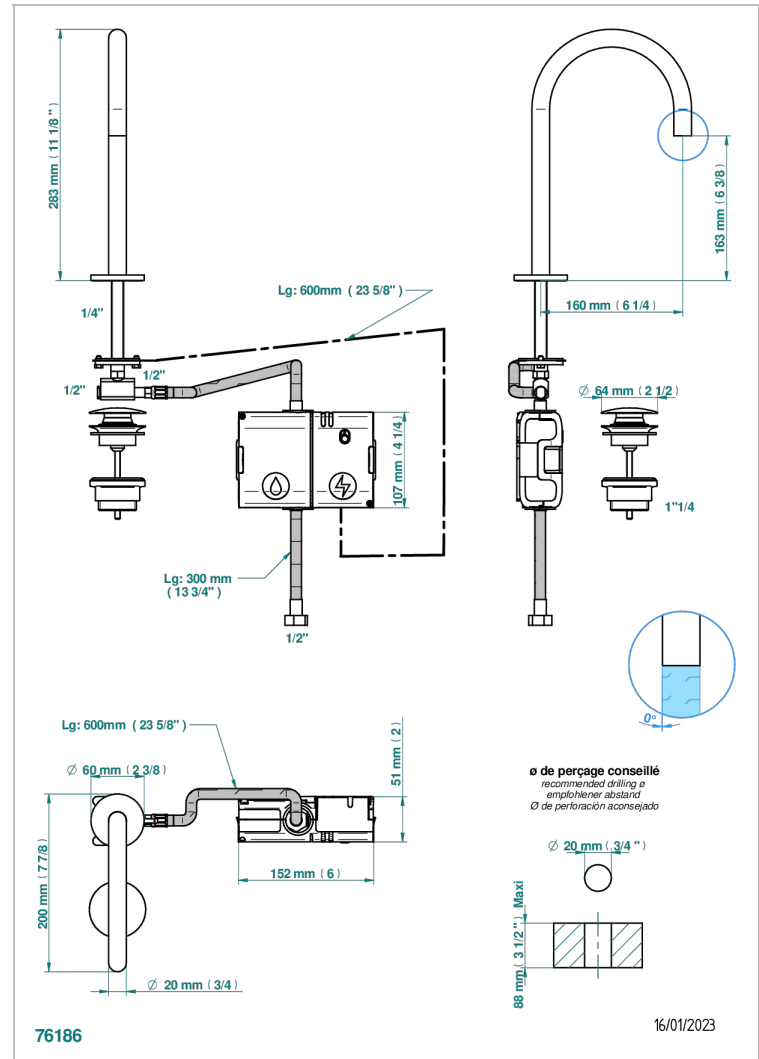


Basin spout with capacitive electronic detection, with waste



特色

- ACS : 21ACCLY484

标准



可选饰面

- Black ceram - D30
- Blush PVD - H62
- Graphite PVD - H64
- Matt Umber PVD - H67
- Matt blush PVD - H60
- Matt graphite PVD - H65

- Natural smoked Brass - A13
- PVD哑光棕铜 - F34
- PVD哑光金 - H53
- PVD哑光铜 - H50
- PVD哑光镍 - H56
- PVD抛光铜 - H49

- PVD棕铜 - F33
- PVD金色 - H52
- PVD镍 - H55
- Umber PVD - H66
- 哑光浅金 - F31
- 哑光金 - F07

- 哑光铬 - C02
- 哑光镍 - C01
- 复古镍 - H28
- 抛光金 (24K金) - F01
- 抛光铬 - A02
- 抛光镍 - B01

- 浅金 - F30
- 漆面铜 - D01