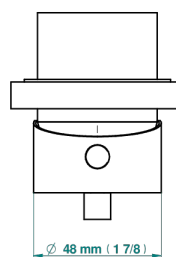
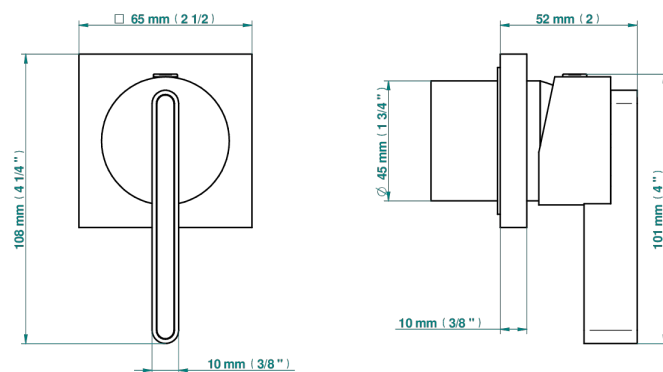
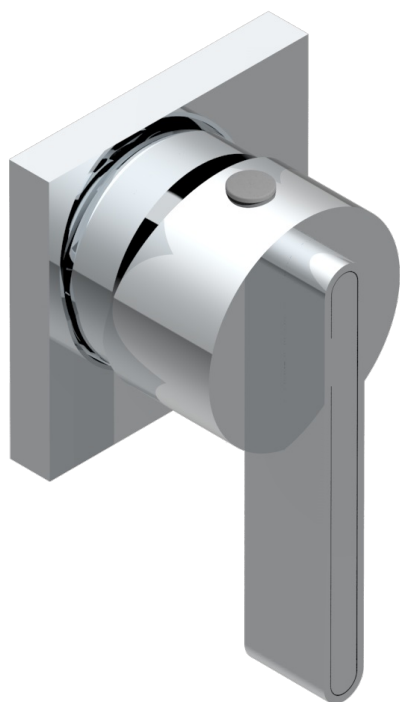


ICON-X METAL INLAYS WITH LEVER HANDLES

U7K-6540RB

Trim only for wall mixer on rosette



Compatible with

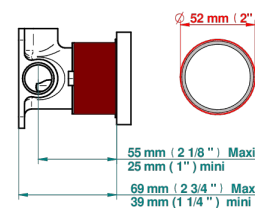


6540A
6540A/W



6540A/US

ø de perçage conseillé
recommended drilling ø
empfohlener abstand
Ø de perforación aconsejado



Tube

75669

20/01/2021

CHARACTERISTIC

- Icon-x metal inlays with lever handles
- Trim only for wall mixer on rosette

RELATED SKU'S

- Ref. G00-6540A/US Built-in part for wall mounted flush fit shower mixer 2 inlets 1/2" -1 outlet 1/2" -US model

AVAILABLE FINITIONS

Black ceram - D30

Blush PVD - H62

Brass color PVD - H49

Brown bronze color PVD - F33

Chrome polished - A02

Gold color PVD - H52

Gold mat - F07

Gold polished - F01

Graphite PVD - H64

Matt Umber PVD - H67

Matt blush PVD - H60

Matt brass color PVD - H50

Matt brown bronze color PVD - F34

Matt chrome (American satin) - C02

Matt gold color PVD - H53

Matt graphite PVD - H65

Matt nickel (American satin) - C01

Matt nickel color PVD - H56

Nickel antique / Sovereign - H28

Nickel color PVD - H55

Nickel polished - B01

Polished chrome with gold inlay - GA1

Soft gold - F30

Soft matt gold - F31

Umber PVD - H66