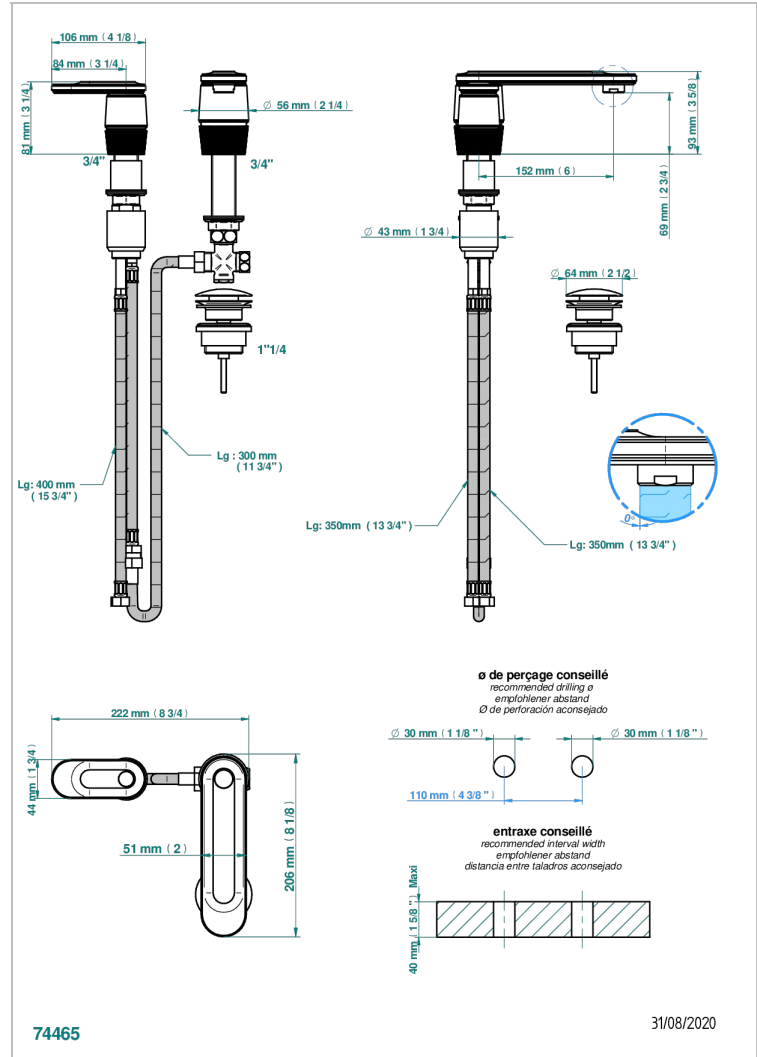


# CORVAIR HOWLITE MIT HEBEL

U8G-6590

2-hole basin mixer with spout and mixer, with waste

THG<sup>®</sup>  
PARIS



31/08/2020

## EIGENSCHAFTEN

- Corvaire Howlite mit Hebel
- 2-hole basin mixer with spout and mixer, with waste

## TECHNISCHE DATEN

- Recommandé : 3 bars (max. 5 bars) - Advised : 43,5 psi (max. 72 psi)
- 15 l/min à 3 bars (4 gpm at 43.5 psi)

## VERFÜGBARE OBERFLÄCHEN

Blassgold - F30  
Blassgold matt unlackiert - F31  
Bronze hell - D01  
Chrom - A02  
Chrom matt - C02  
Gold - F01

Gold matt - F07  
Mattschwarz keramik - D30  
Nickel matt - C01  
Pvd blush - H62  
Pvd blush matt - H60  
Pvd bronze braun - F33

Pvd bronze braun matt - F34  
Pvd gold - H52  
Pvd gold matt - H53  
Pvd graphite - H64  
Pvd graphite matt - H65  
Pvd messing - H49

Pvd messing matt - H50  
Pvd nickel - H55  
Pvd nickel matt - H56  
Pvd umber - H66  
Pvd umber matt - H67  
Silberrnickel - B01