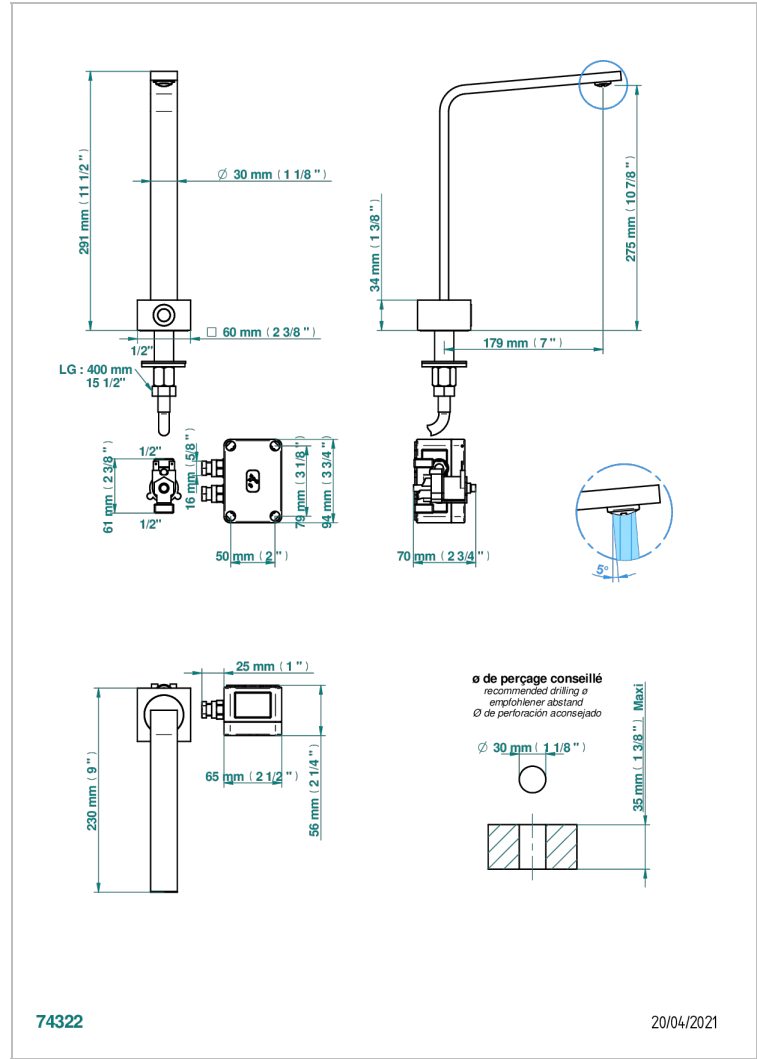


Electronic tap for washbasin with infra-red presence detection, without pop-up waste - mains-powered



EIGENSCHAFTEN

- ACS : 21ACCLY484

ZERTIFIZIERUNGEN



ÄHNLICHE PRODUKTE

- Ref. G00-5999 Concealed wall mounted 1/2" Thermostatic mixer
- Ref. G7K-6532 Einhebelmischer zur Standmontage mit Bedienungsriff passend zur Serie

VERFÜGBARE OBERFLÄCHEN

- Blassgold - F30
- Blassgold matt unlackiert - F31
- Chrom - A02
- Chrom matt - C02
- Gold - F01
- Gold matt - F07

- Nickel matt - C01
- Pvd blush - H62
- Pvd blush matt - H60
- Pvd bronze braun - F33
- Pvd bronze braun matt - F34
- Pvd gold - H52

- Pvd gold matt - H53
- Pvd graphite - H64
- Pvd graphite matt - H65
- Pvd messing - H49
- Pvd messing matt - H50
- Pvd nickel - H55

- Pvd nickel matt - H56
- Pvd umber - H66
- Pvd umber matt - H67
- Silbernickel - B01