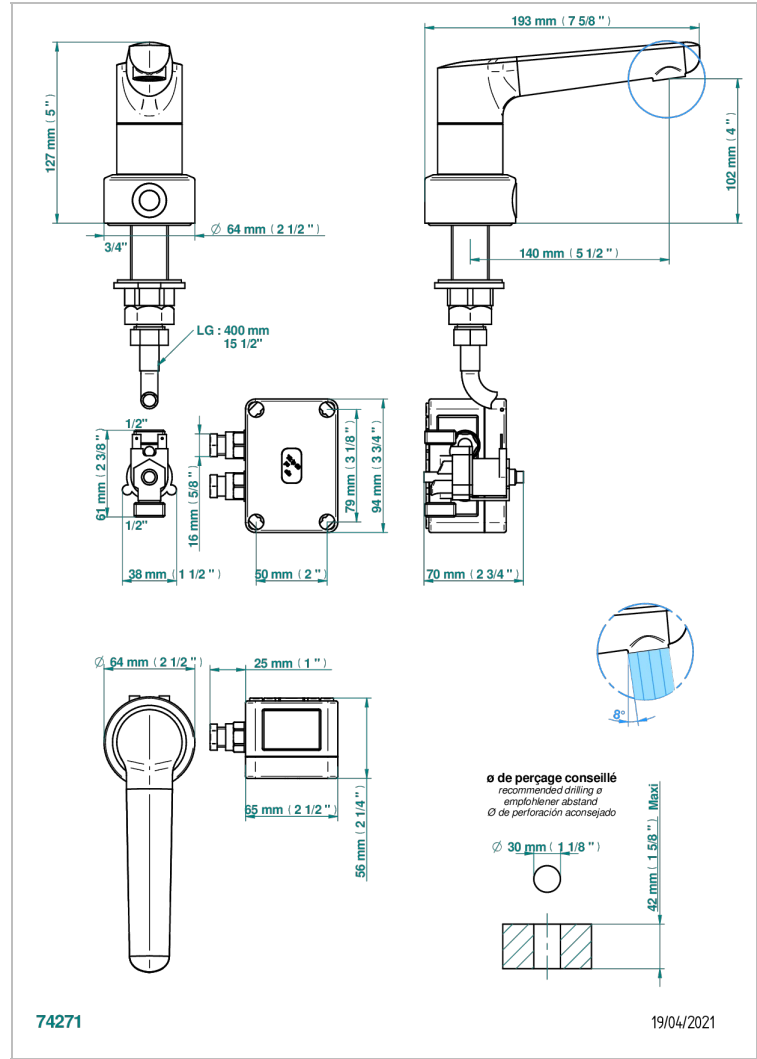


SYSTEM SMOOTH METAL

G9A-170IRS

THG[®]
PARIS

Electronic tap for washbasin with infra-red presence detection, without pop-up waste - mains-powered



EIGENSCHAFTEN

- ACS : 21ACCLY484

ZERTIFIZIERUNGEN



ÄHNLICHE PRODUKTE

- Ref. G00-5999 Concealed wall mounted 1/2" Thermostatic mixer
- Ref. G9A-6532 Einhebelmischer zur Standmontage mit Bedienungsgriff passend zur Serie

VERFÜGBARE OBERFLÄCHEN

Altnickel - H28	Gold - F01	Pvd blush - H62	Pvd graphite - H64	Pvd umber - H66
Blassgold - F30	Gold matt - F07	Pvd blush matt - H60	Pvd graphite matt - H65	Pvd umber matt - H67
Blassgold matt unlackiert - F31	Kupfer altrot matt lackiert - H07	Pvd bronze braun - F33	Pvd messing - H49	Silbernickel - B01
Bronze hell - D01	Mattschwarz keramik - D30	Pvd bronze braun matt - F34	Pvd messing matt - H50	
Chrom - A02	Nickel matt - C01	Pvd gold - H52	Pvd nickel - H55	
Chrom matt - C02	Polished chrome with gold inlay - GA1	Pvd gold matt - H53	Pvd nickel matt - H56	