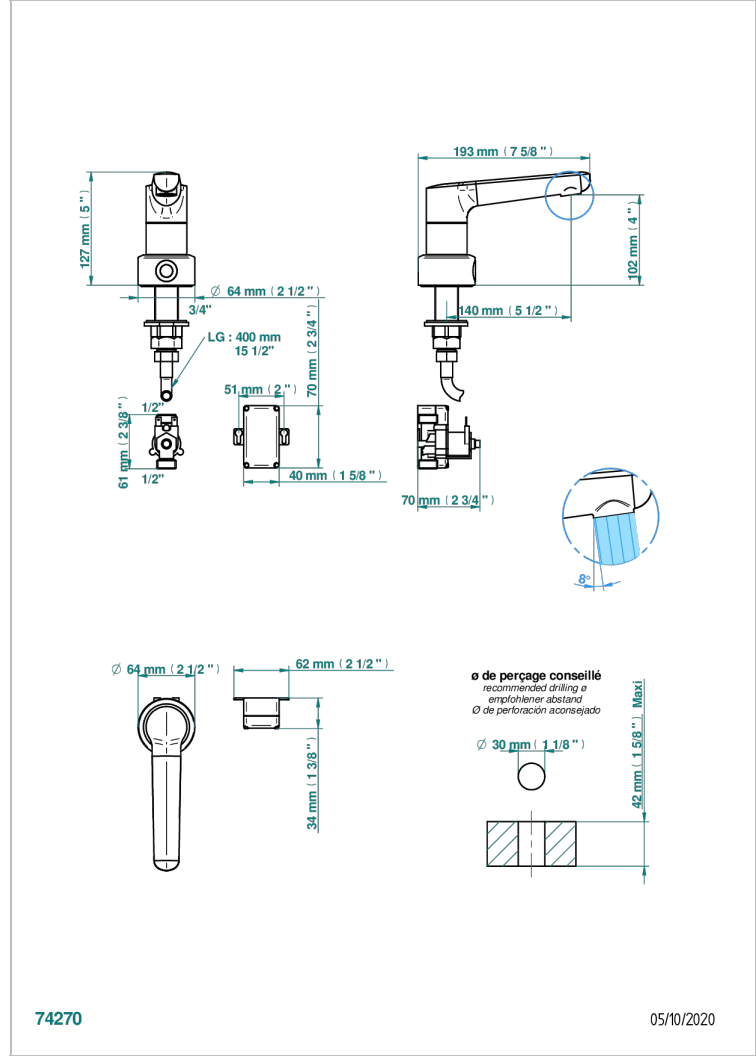


SYSTEM SMOOTH METAL

G9A-170IRB

Electronic tap for washbasin with infra-red presence detection, without pop-up waste

THG[®]
PARIS



EIGENSCHAFTEN

- ACS : 21ACCLY484

ZERTIFIZIERUNGEN



ÄHNLICHE PRODUKTE

- Ref. G00-5999 Concealed wall mounted 1/2" Thermostatic mixer
- Ref. G9A-6532 Einhebelmischer zur Standmontage mit Bedienungsgriff passend zur Serie

VERFÜGBARE OBERFLÄCHEN

Altnickel - H28
Blassgold - F30
Blassgold matt unlackiert - F31
Bronze hell - D01
Chrom - A02
Chrom matt - C02

Gold - F01
Gold matt - F07
Kupfer altrot matt lackiert - H07
Mattschwarz keramik - D30
Nickel matt - C01
Polished chrome with gold inlay - GA1

Pvd blush - H62
Pvd blush matt - H60
Pvd bronze braun - F33
Pvd bronze braun matt - F34
Pvd gold - H52
Pvd gold matt - H53

Pvd graphite - H64
Pvd graphite matt - H65
Pvd messing - H49
Pvd messing matt - H50
Pvd nickel - H55
Pvd nickel matt - H56

Pvd umber - H66
Pvd umber matt - H67
Silbernickel - B01

TECHNISCHE DATEN

- Recommandé : 3 bars (max. 5 bars) - Advised : 43,5 psi (max. 72 psi)
- 15 l/min à 3 bars (4 gpm at 43.5 psi)