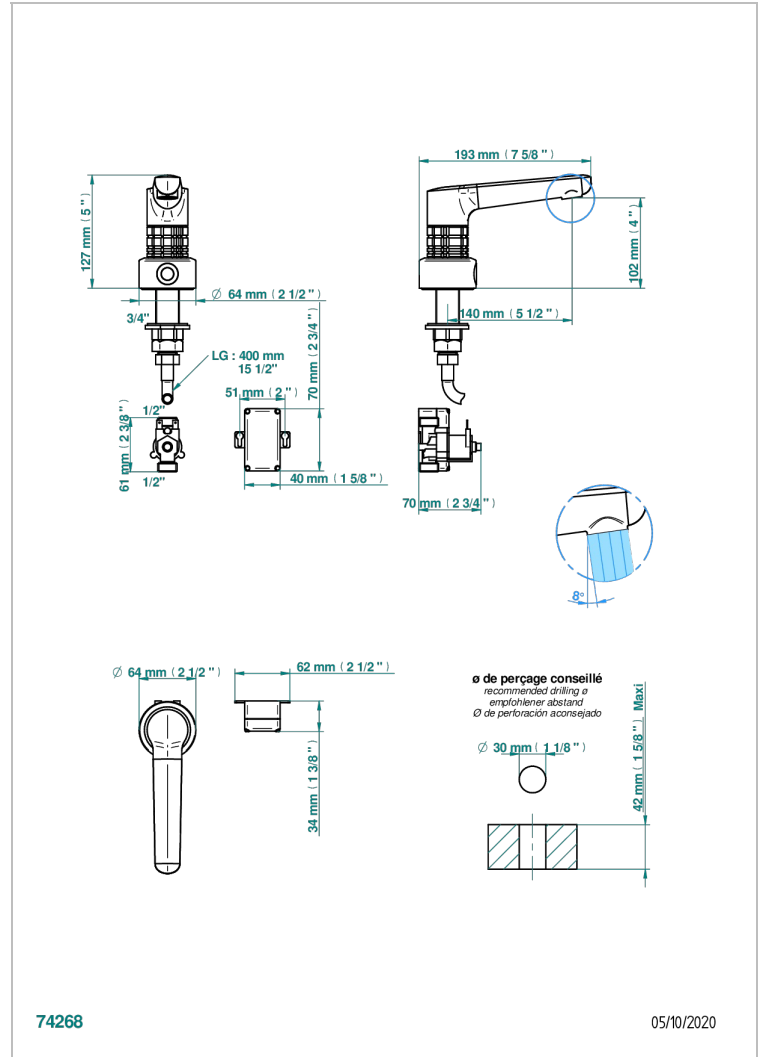


SYSTEM CRYSTAL

G9J-170IRB

Electronic tap for washbasin with infra-red presence detection, without pop-up waste

THG[®]
PARIS



EIGENSCHAFTEN

- ACS : 21ACCLY484

ZERTIFIZIERUNGEN



ÄHNLICHE PRODUKTE

- Ref. G00-5999 Concealed wall mounted 1/2" Thermostatic mixer
- Ref. G9J-6532 Einhebelmischer zur Standmontage mit Bedienungsgriff passend zur Serie

VERFÜGBARE OBERFLÄCHEN

| | | | | |
|---------------------------------|-----------------------------------|-----------------------------|-------------------------|----------------------|
| Altnickel - H28 | Gold - F01 | Pvd blush matt - H60 | Pvd graphite matt - H65 | Pvd umber matt - H67 |
| Blassgold - F30 | Gold matt - F07 | Pvd bronze braun - F33 | Pvd messing - H49 | Silbernickel - B01 |
| Blassgold matt unlackiert - F31 | Kupfer altrot matt lackiert - H07 | Pvd bronze braun matt - F34 | Pvd messing matt - H50 | |
| Bronze hell - D01 | Mattschwarz keramik - D30 | Pvd gold - H52 | Pvd nickel - H55 | |
| Chrom - A02 | Nickel matt - C01 | Pvd gold matt - H53 | Pvd nickel matt - H56 | |
| Chrom matt - C02 | Pvd blush - H62 | Pvd graphite - H64 | Pvd umber - H66 | |