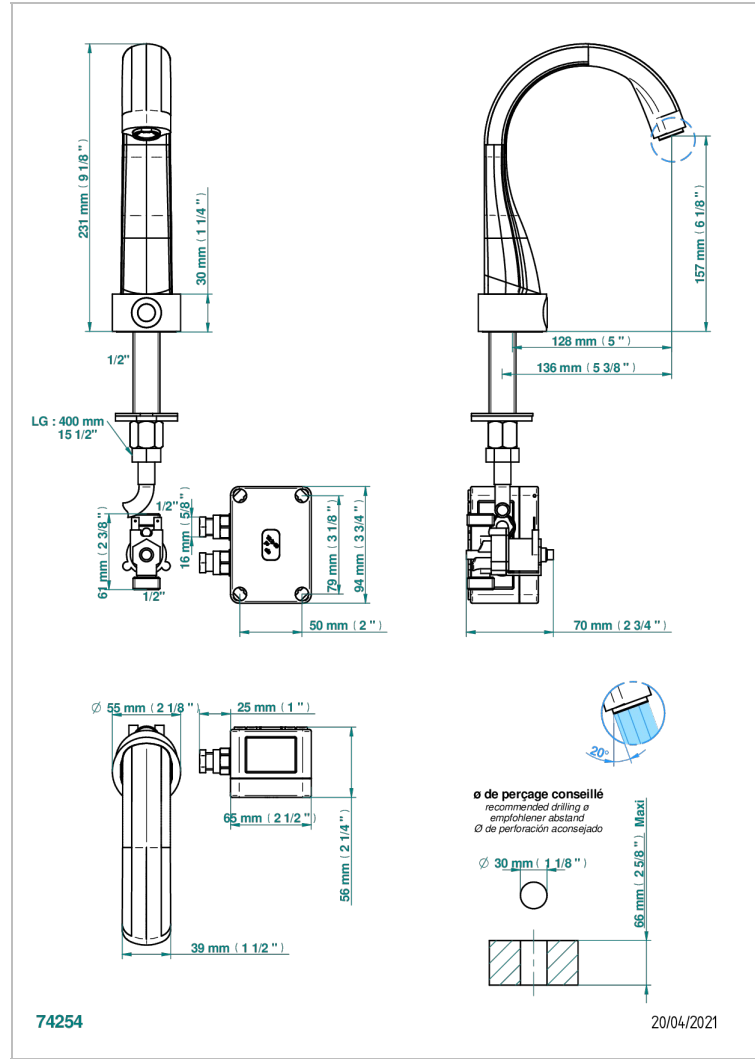
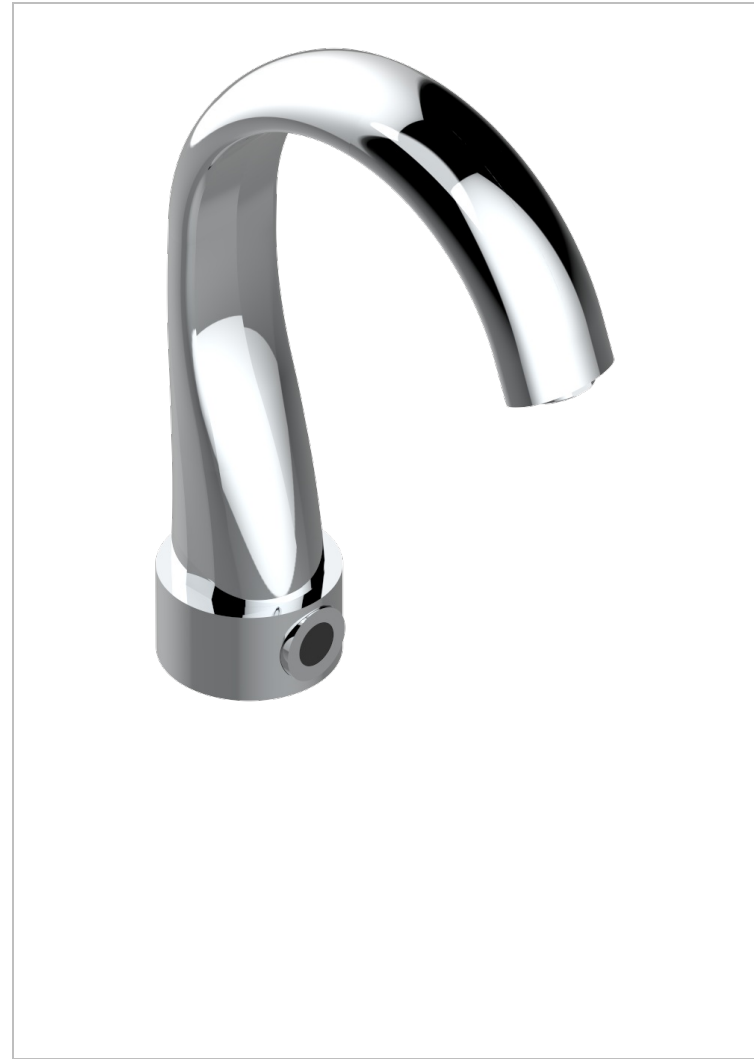


DIPLOMATE SMOOTH RINGS

U4A-170IRS

THG[®]
PARIS

Electronic tap for washbasin with infra-red presence detection, without pop-up waste - mains-powered



CHARACTERISTIC

- ACS : 21ACCLY484

STANDARDS



RELATED SKU'S

- Ref. G00-5999 Concealed wall mounted 1/2" Thermostatic mixer
- Ref. U4A-6532 Rim mounted ceramic mixer with progressive cartridge

AVAILABLE FINITIONS

Antique nickel - H28
Black ceram - D30
Blush PVD - H62
Brass color PVD - H49
Brown bronze color PVD - F33
Gold color PVD - H52

Graphite PVD - H64
Lacquered light bronze - D01
Matt Umber PVD - H67
Matt blush PVD - H60
Matt brass color PVD - H50
Matt brown bronze color PVD - F34

Matt chrome - C02
Matt gold - F07
Matt gold color PVD - H53
Matt graphite PVD - H65
Matt nickel (color finish) - C01
Matt nickel color PVD - H56

Nickel color PVD - H55
Polished chrome (color finish) - A02
Polished chrome / Polished gold (color finish) - G02
Polished gold (color finish) - F01
Polished nickel - B01
Soft gold - F30

Soft matt gold - F31
Umber PVD - H66
Varnished matt antique red copper (color finish) - H07