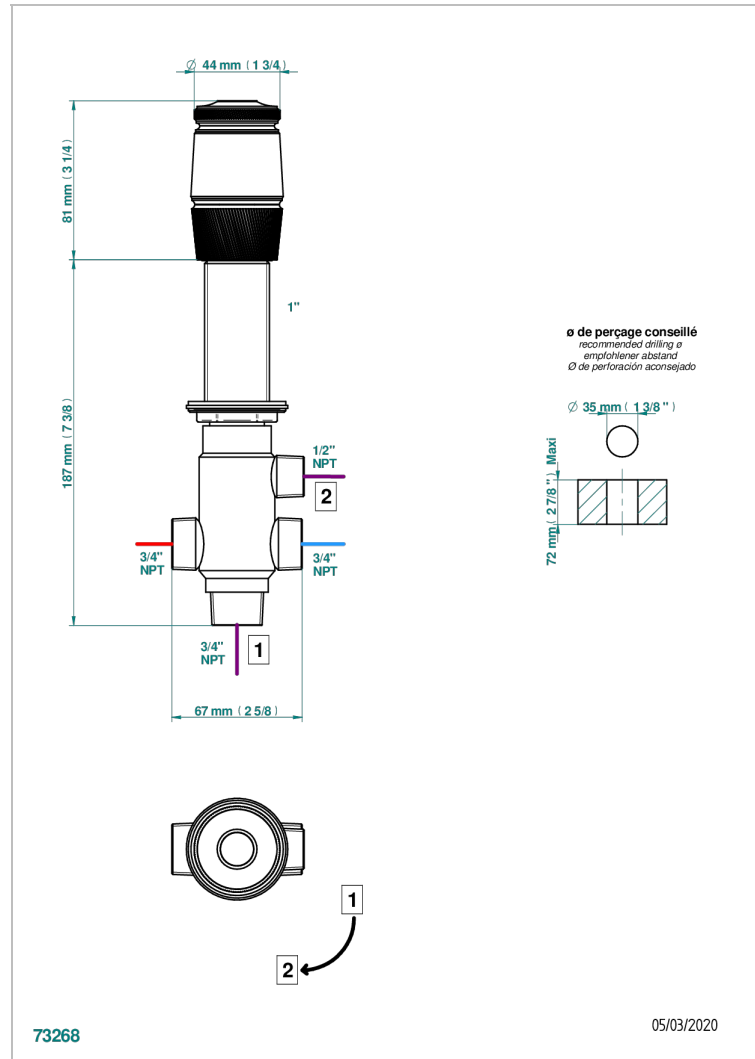


# CORVAIR PORTORO

U8H-50/4/VG

Rim mounted 4 way diverter : 2 inlets and 2 outlets



## CHARACTERISTIC

- Corvaair Portoro
- Rim mounted 4 way diverter : 2 inlets and 2 outlets

## TECHNICAL SPECS

- Recommandé : 3 bars (max. 5 bars) - Advised : 43,5 psi (max. 72 psi)
- débit sortie Douchette 1/2 : 50 l/min à 3 bars - fonction 1/2 : 13,2 gpm at 43.5 psi
- débit sortie Bec 3/4 : 70 l/min - fonction 3/4 : 18,5 gpm at 43.5 psi

## AVAILABLE FINITIONS

Black ceram - D30  
Blush PVD - H62  
Brass color PVD - H49  
Brown bronze color PVD - F33  
Gold color PVD - H52  
Graphite PVD - H64

Lacquered light bronze - D01  
Matt Umber PVD - H67  
Matt blush PVD - H60  
Matt brass color PVD - H50  
Matt brown bronze color PVD - F34  
Matt chrome - C02

Matt gold - F07  
Matt gold color PVD - H53  
Matt graphite PVD - H65  
Matt nickel (color finish) - C01  
Matt nickel color PVD - H56  
Nickel color PVD - H55

Polished chrome (color finish) - A02  
Polished gold (color finish) - F01  
Polished nickel - B01  
Soft gold - F30  
Soft matt gold - F31  
Umber PVD - H66