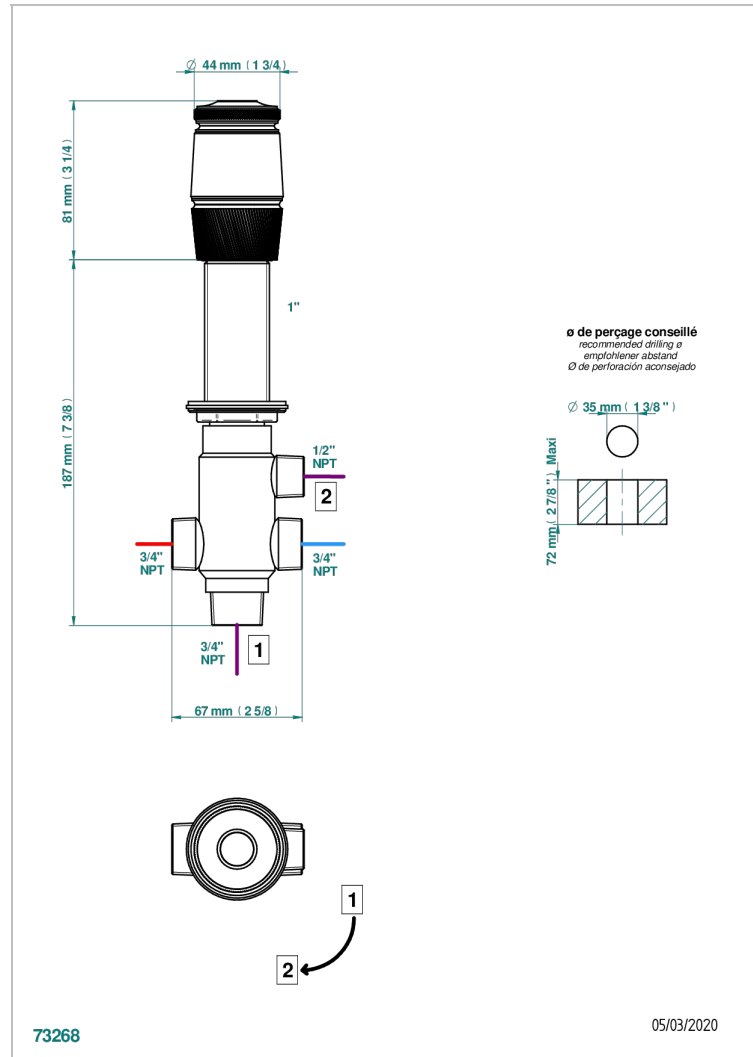


CORVAIR PORTORO

U8H-504VGUS

2-function deck diverter with trim



CHARACTERISTIC

- Corvaair Portoro
- 2-function deck diverter with trim

TECHNICAL SPECS

- Recommandé : 3 bars (max. 5 bars) - Advised : 43,5 psi (max. 72 psi)
- débit sortie Douchette 1/2 : 50 l/min à 3 bars - fonction 1/2 : 13,2 gpm at 43.5 psi
- débit sortie Bec 3/4 : 70 l/min - fonction 3/4 : 18,5 gpm at 43.5 psi

AVAILABLE FINITIONS

Black ceram - D30
Blush PVD - H62
Brass color PVD - H49
Brown bronze color PVD - F33
Chrome polished - A02
Gold color PVD - H52

Gold mat - F07
Gold polished - F01
Graphite PVD - H64
Light coated bronze - D01
Matt Umber PVD - H67
Matt blush PVD - H60

Matt brass color PVD - H50
Matt brown bronze color PVD - F34
Matt chrome (American satin) - C02
Matt gold color PVD - H53
Matt graphite PVD - H65
Matt nickel (American satin) - C01

Matt nickel color PVD - H56
Nickel color PVD - H55
Nickel polished - B01
Soft gold - F30
Soft matt gold - F31
Umber PVD - H66