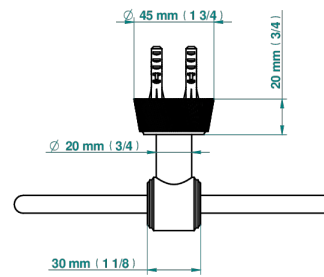
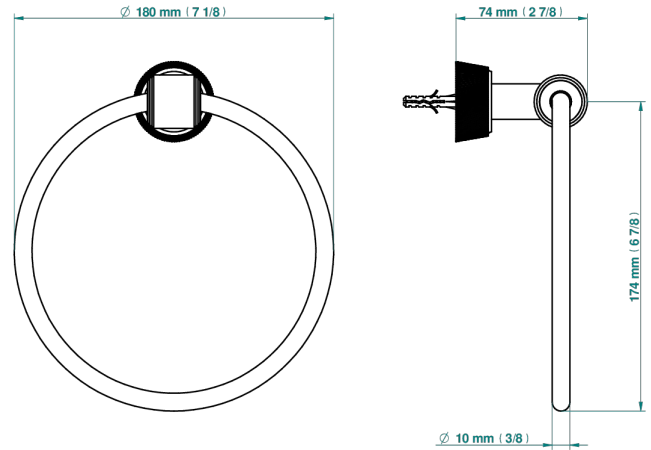


# CORVAIR FIOR DI BOSCO

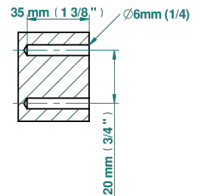
U8K-504N

Single towel ring

THG<sup>®</sup>  
PARIS



**ø de perçage conseillé**  
recommended drilling ø  
empfohlener Abstand  
Ø de perforación aconsejado



73093

20/02/2020

## CHARACTERISTIC

- Corvoir Fior di Bosco
- Single towel ring

## AVAILABLE FINITIONS

Black ceram - D30  
Blush PVD - H62  
Brass color PVD - H49  
Brown bronze color PVD - F33  
Gold color PVD - H52  
Graphite PVD - H64

Lacquered light bronze - D01  
Matt Umber PVD - H67  
Matt blush PVD - H60  
Matt brass color PVD - H50  
Matt brown bronze color PVD - F34  
Matt chrome - C02

Matt gold - F07  
Matt gold color PVD - H53  
Matt graphite PVD - H65  
Matt nickel (color finish) - C01  
Matt nickel color PVD - H56  
Nickel color PVD - H55

Polished chrome (color finish) - A02  
Polished gold (color finish) - F01  
Polished nickel - B01  
Soft gold - F30  
Soft matt gold - F31  
Umber PVD - H66