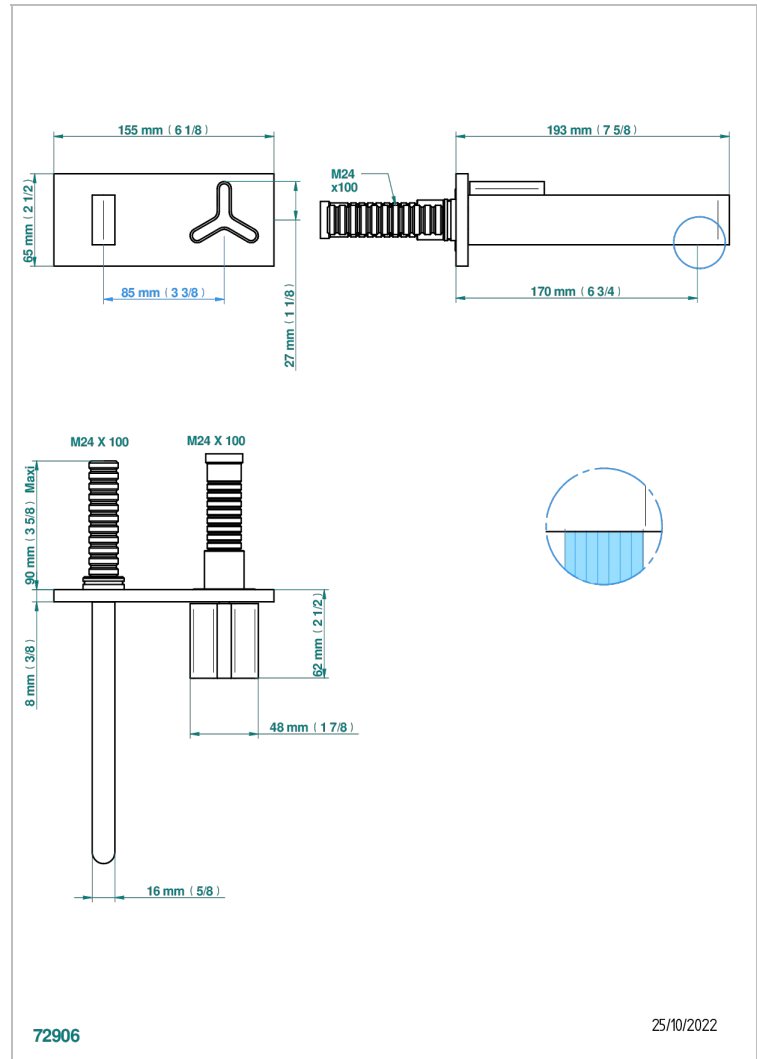
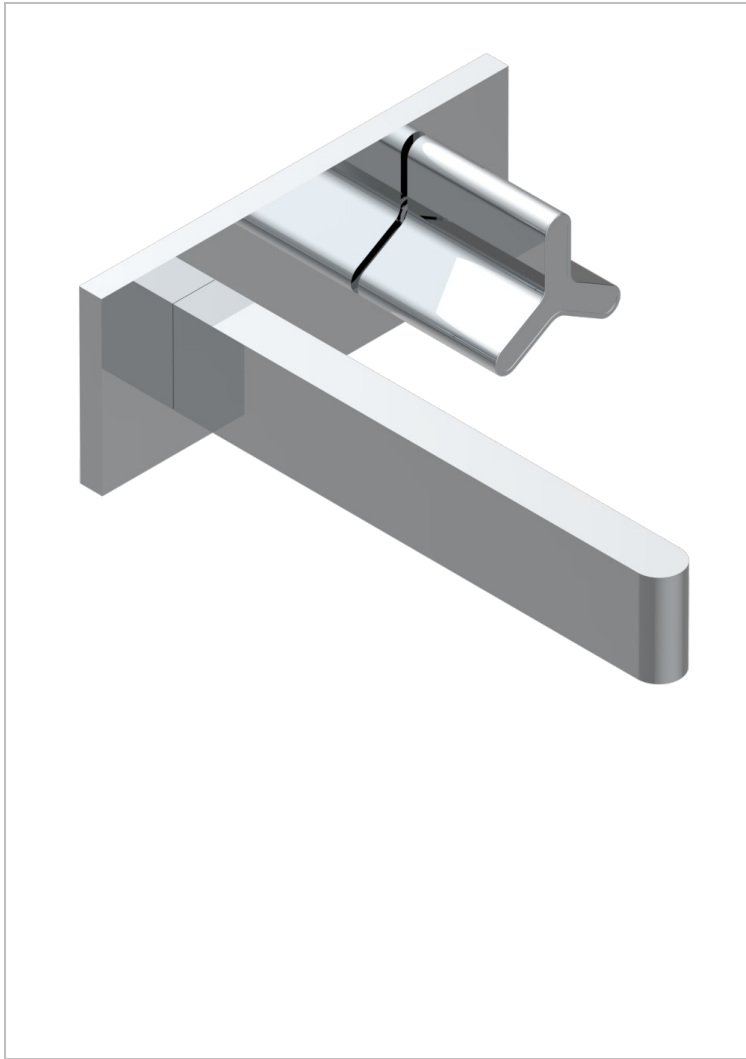


ICON-X METAL INLAYS

U7J-6543PB

Trim only for Built-in basin mixer on plate with spout, progressive cartridge



CHARACTERISTIC

- Icon-x metal inlays
- Trim only for Built-in basin mixer on plate with spout, progressive cartridge

RELATED SKU'S

- Ref. G00-6543A Rough parts for basin mixer on plate with spout, progressive cartridge

AVAILABLE FINITIONS

Antique nickel - H28
Black ceram - D30
Blush PVD - H62
Brass color PVD - H49
Brown bronze color PVD - F33
Gold color PVD - H52

Graphite PVD - H64
Matt Umber PVD - H67
Matt blush PVD - H60
Matt brass color PVD - H50
Matt brown bronze color PVD - F34
Matt chrome - C02

Matt gold - F07
Matt gold color PVD - H53
Matt graphite PVD - H65
Matt nickel (color finish) - C01
Matt nickel color PVD - H56
Nickel color PVD - H55

Polished chrome (color finish) - A02
Polished chrome with gold inlay - GA1
Polished gold (color finish) - F01
Polished nickel - B01
Soft gold - F30
Soft matt gold - F31
Umber PVD - H66