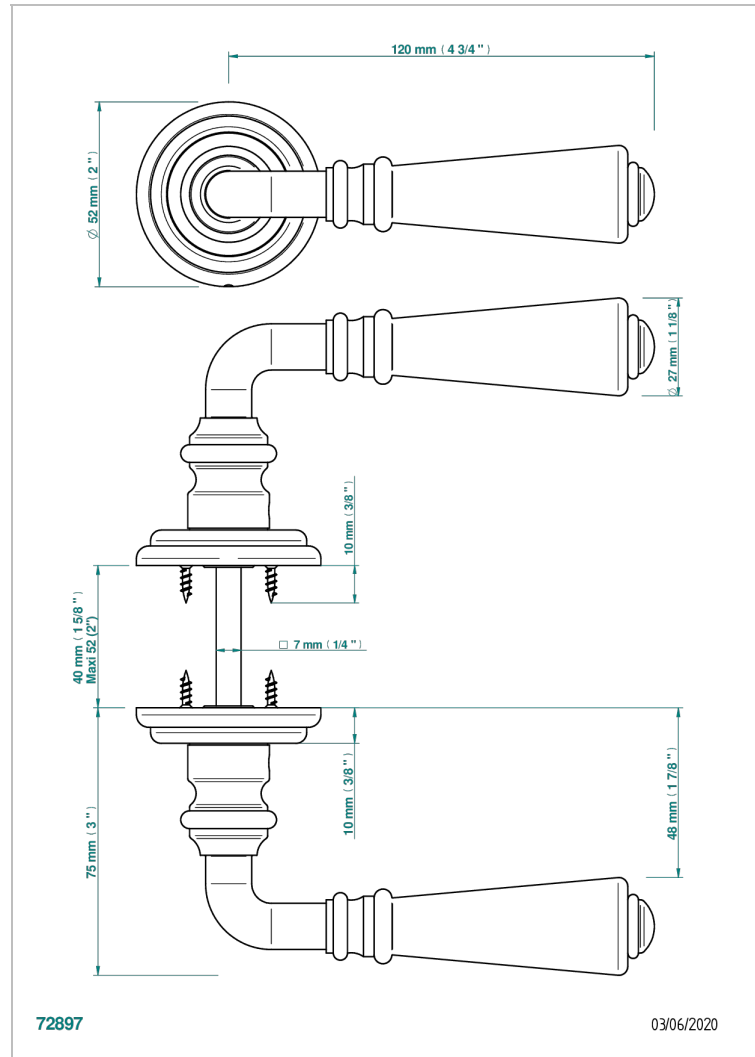


COLLECTION LONDON

B8B-DHRS2

Paar Türgriffe, London Howlite

THG[®]
PARIS



EIGENSCHAFTEN

- Collection London
- Paar Türgriffe, London Howlite

VERFÜGBARE OBERFLÄCHEN

Blassgold - F30
Blassgold matt unlackiert - F31
Bronze hell - D01
Chrom - A02
Gold - F01
Gold matt - F07

Mattschwarz keramik - D30
Nickel matt - C01
Pvd blush - H62
Pvd blush matt - H60
Pvd bronze braun - F33
Pvd bronze braun matt - F34

Pvd gold - H52
Pvd gold matt - H53
Pvd graphite - H64
Pvd graphite matt - H65
Pvd messing - H49
Pvd messing matt - H50

Pvd nickel - H55
Pvd nickel matt - H56
Pvd umber - H66
Pvd umber matt - H67
Silbernickel - B01