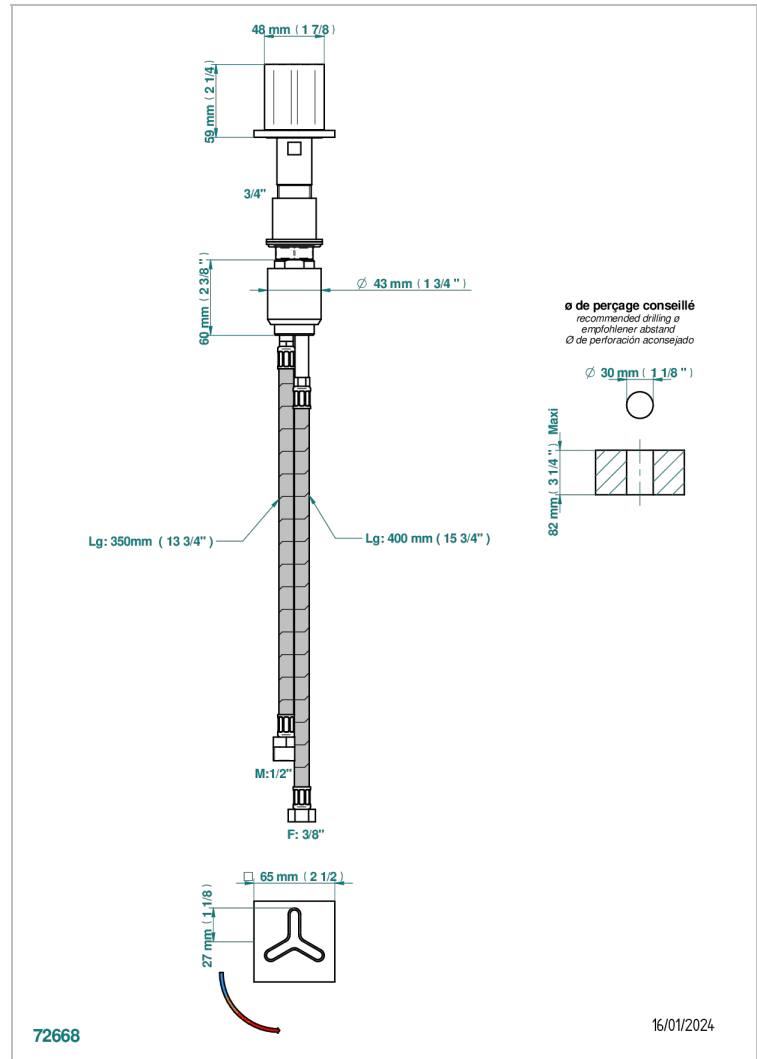
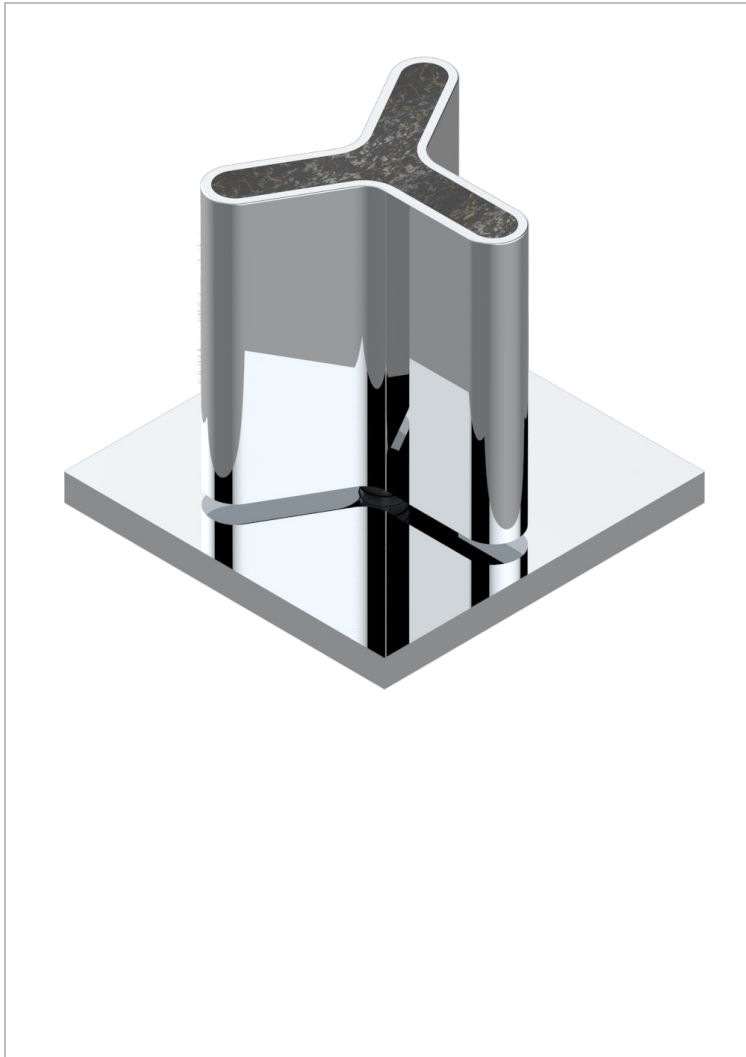


ICON-X CARBON GOLD

U7S-6532

Rim mounted ceramic mixer with progressive cartridge



CHARACTERISTIC

- ACS : 22ACCLY009

STANDARDS



AVAILABLE FINITIONS

- Black ceram - D30
- Blush PVD - H62
- Brass color PVD - H49
- Brown bronze color PVD - F33
- Chrome polished - A02
- Gold color PVD - H52

- Gold mat - F07
- Gold polished - F01
- Graphite PVD - H64
- Matt Umber PVD - H67
- Matt blush PVD - H60
- Matt brass color PVD - H50

- Matt brown bronze color PVD - F34
- Matt chrome (American satin) - C02
- Matt gold color PVD - H53
- Matt graphite PVD - H65
- Matt nickel (American satin) - C01
- Matt nickel color PVD - H56

- Nickel antique / Sovereign - H28
- Nickel color PVD - H55
- Nickel polished - B01
- Soft gold - F30
- Soft matt gold - F31
- Umber PVD - H66