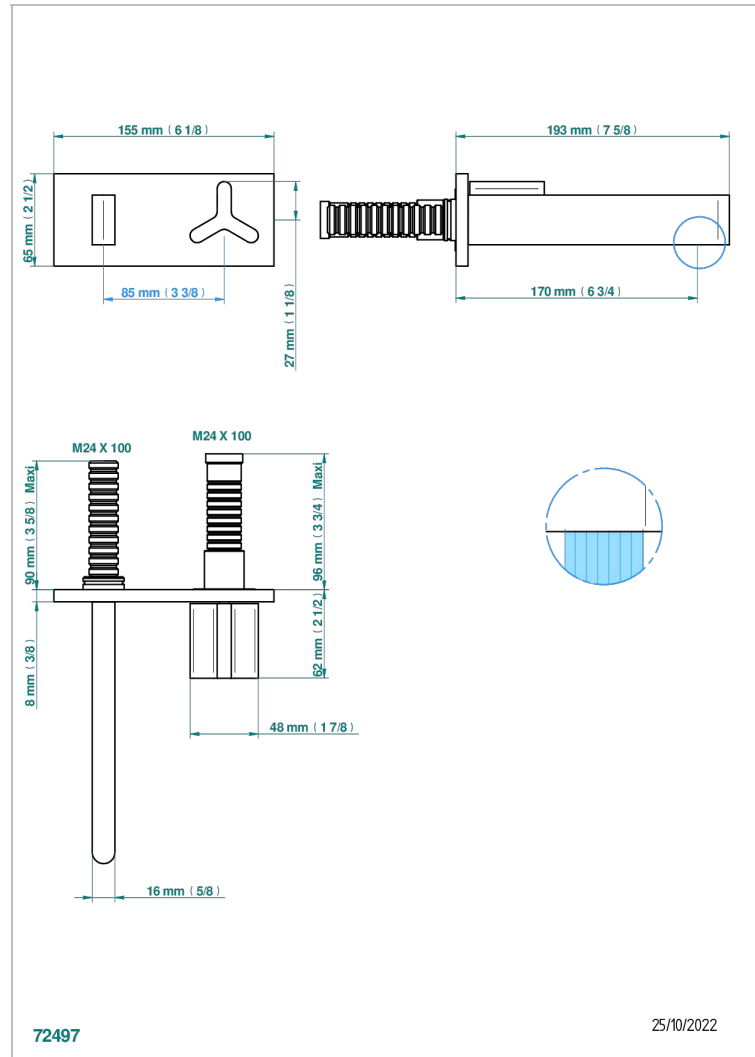
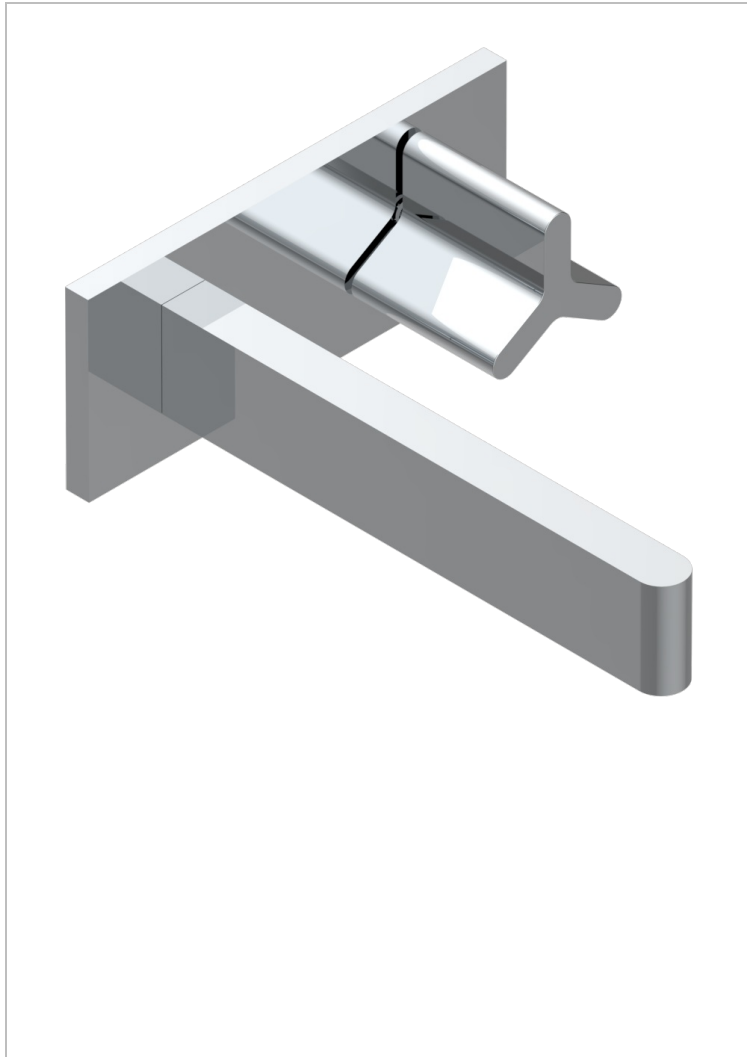


# ICON-X

U7G-6543PB

THG<sup>®</sup>  
PARIS

Trim only for Built-in basin mixer on plate with spout, progressive cartridge



## CHARACTERISTIC

- Icon-x
- Trim only for Built-in basin mixer on plate with spout, progressive cartridge

## TECHNICAL SPECS

- Recommandé : 3 bars (max. 5 bars) - Advised : 43,5 psi (max. 72 psi)
- 9 l/min à 3 bars (1.58 gpm at 43.5 psi)

## RELATED SKU'S

- Ref. G00-6543A Rough parts for basin mixer on plate with spout, progressive cartridge

## AVAILABLE FINITIONS

Antique nickel - H28  
Black ceram - D30  
Blush PVD - H62  
Brass color PVD - H49  
Brown bronze color PVD - F33  
Gold color PVD - H52

Graphite PVD - H64  
Matt Umber PVD - H67  
Matt blush PVD - H60  
Matt brass color PVD - H50  
Matt brown bronze color PVD - F34  
Matt chrome - C02

Matt gold - F07  
Matt gold color PVD - H53  
Matt graphite PVD - H65  
Matt nickel (color finish) - C01  
Matt nickel color PVD - H56  
Nickel color PVD - H55

Polished chrome (color finish) - A02  
Polished gold (color finish) - F01  
Polished nickel - B01  
Soft gold - F30  
Soft matt gold - F31  
Umber PVD - H66