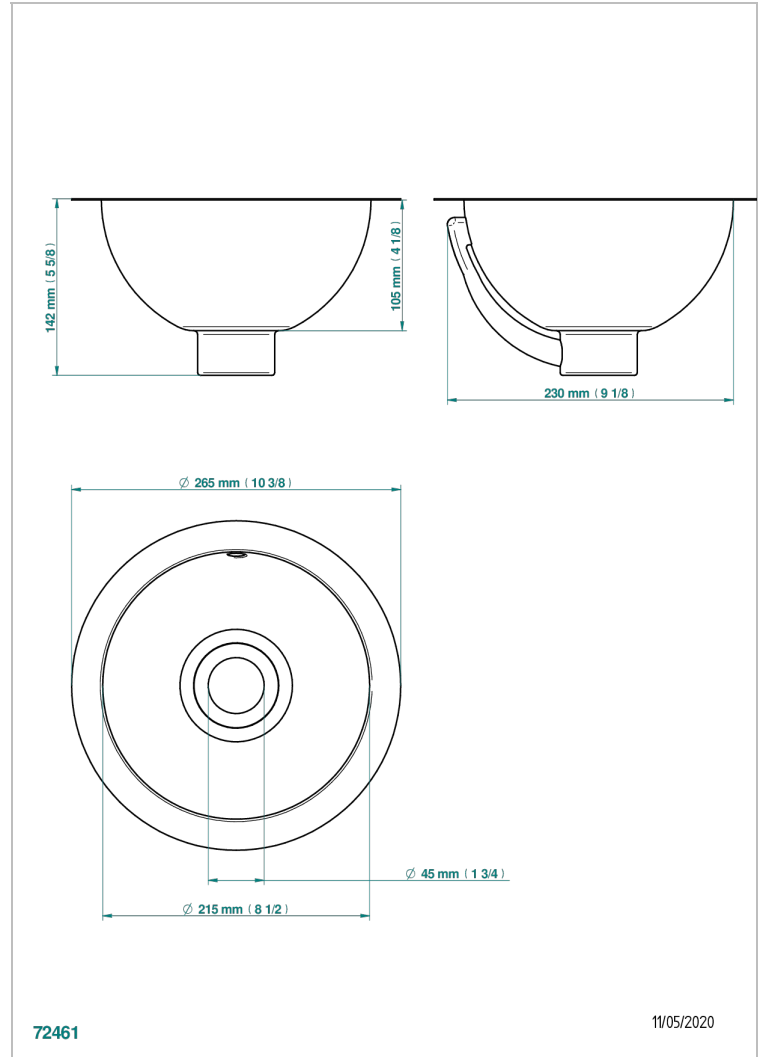


METAL BASIN

GB2-1/BOL

Round hand basin, Ø 26,5 cm, with overflow with flat edge, hammered metal finishing - for installation from above or under a vanity top



CHARACTERISTIC

- Metal Basin
- Round hand basin, Ø 26,5 cm, with overflow with flat edge, hammered metal finishing - for installation from above or under a vanity top

AVAILABLE FINITIONS

Matt nickel (color finish) - C01
Natural brass, uncoated (metal basin) - O05
Natural red copper, uncoated (metal basin) - O04
Polished chrome (color finish) - A02
Polished gold (color finish) - F01
Polished nickel - B01

Soft gold - F30