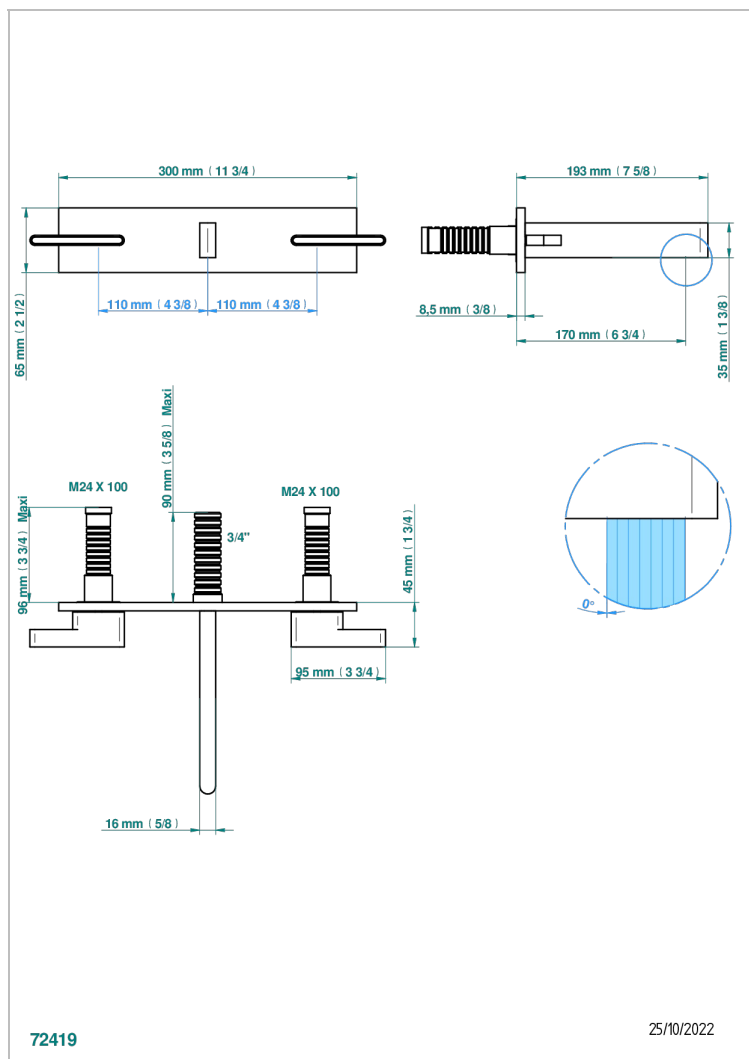
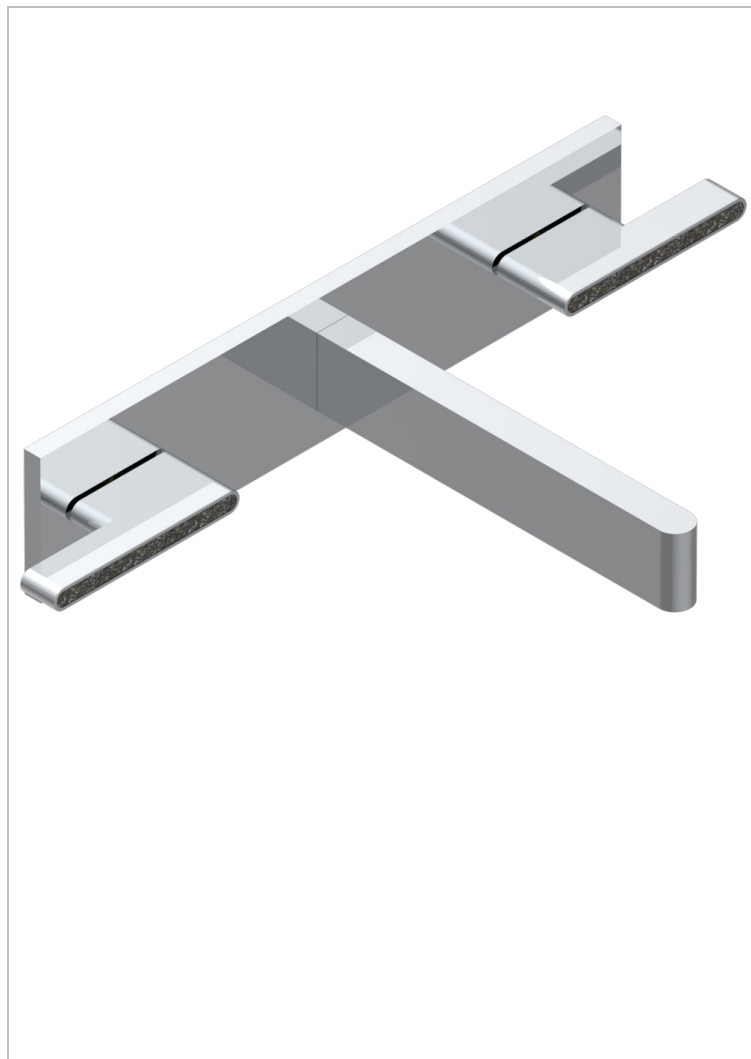


# ICON-X CARBON GOLD WITH LEVER

U7T-40GBP22

Trim only for wall mounted 3-hole basin mixer, on plate, 220 mm centres (Requires rough ref.G00.40ACP22 or réf.G00.40AMP22)



## CHARACTERISTIC

- Icon-x carbon gold with lever
- Trim only for wall mounted 3-hole basin mixer, on plate, 220 mm centres (Requires rough ref.G00.40ACP22 or réf.G00.40AMP22)

## RELATED SKU'S

- Ref. G00-40ACP22 Rough parts for wall mounted 3 hole mixer on plate, 220 mm centres - cross handle version
- Ref. G00-40AMP22 Rough parts for wall mounted 3 hole mixer on plate, 220 mm centres - lever handle version

## AVAILABLE FINITIONS

Antique nickel - H28  
Black ceram - D30  
Blush PVD - H62  
Brass color PVD - H49  
Brown bronze color PVD - F33  
Gold color PVD - H52

Graphite PVD - H64  
Matt Umber PVD - H67  
Matt blush PVD - H60  
Matt brass color PVD - H50  
Matt brown bronze color PVD - F34  
Matt chrome - C02

Matt gold - F07  
Matt gold color PVD - H53  
Matt graphite PVD - H65  
Matt nickel (color finish) - C01  
Matt nickel color PVD - H56  
Nickel color PVD - H55

Polished chrome (color finish) - A02  
Polished gold (color finish) - F01  
Polished nickel - B01  
Soft gold - F30  
Soft matt gold - F31  
Umber PVD - H66

72419

25/10/2022