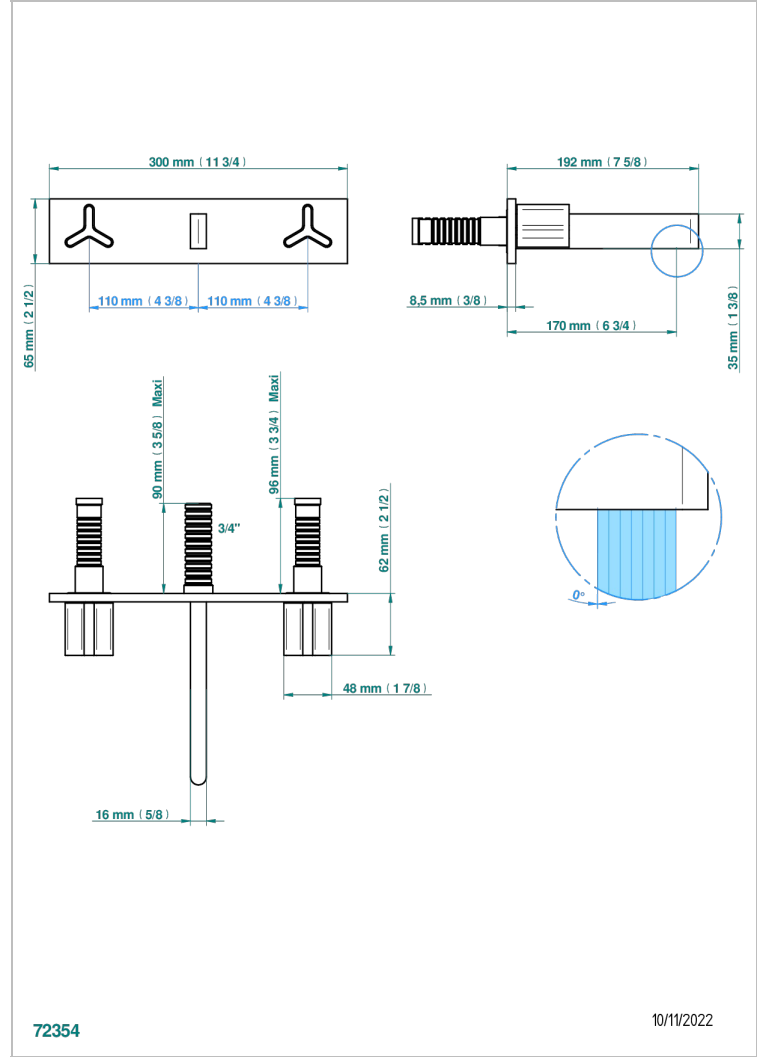
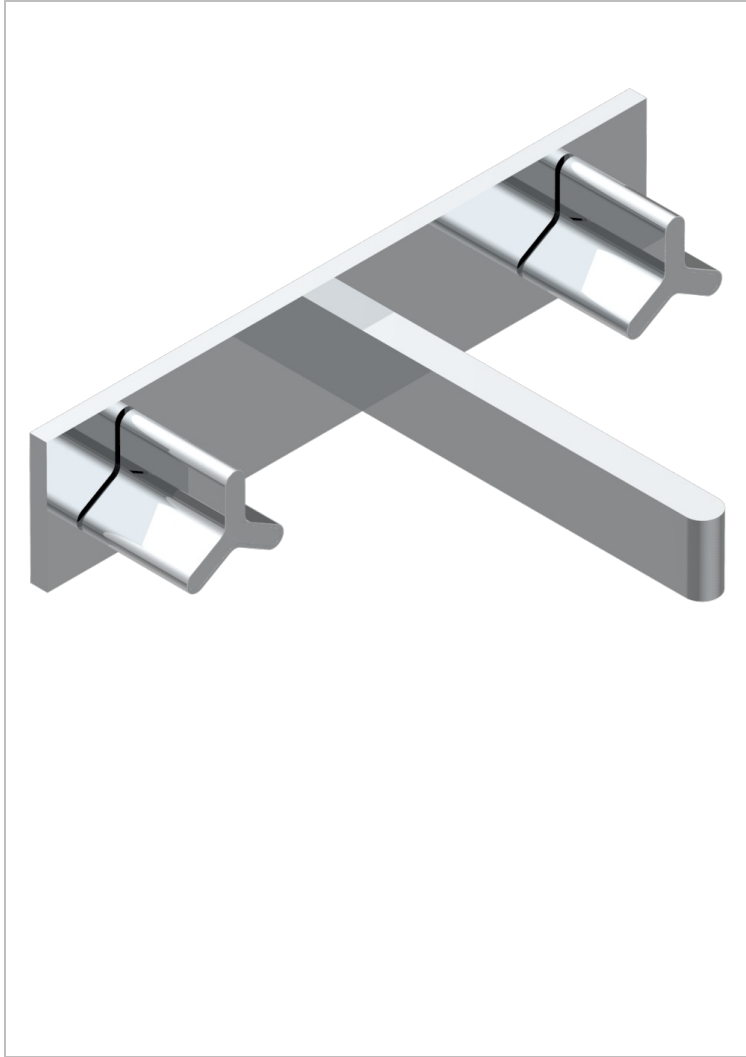


ICON-X METAL INLAYS

U7J-40GBP22

Trim only for wall mounted 3-hole basin mixer, on plate, 220 mm centres (Requires rough ref.G00.40ACP22 or réf.G00.40AMP22)



CHARACTERISTIC

- Icon-x metal inlays
- Trim only for wall mounted 3-hole basin mixer, on plate, 220 mm centres (Requires rough ref.G00.40ACP22 or réf.G00.40AMP22)

RELATED SKU'S

- Ref. G00-40ACP22 Rough parts for wall mounted 3 hole mixer on plate, 220 mm centres - cross handle version
- Ref. G00-40AMP22 Rough parts for wall mounted 3 hole mixer on plate, 220 mm centres - lever handle version

AVAILABLE FINITIONS

Antique nickel - H28
Black ceram - D30
Blush PVD - H62
Brass color PVD - H49
Brown bronze color PVD - F33
Gold color PVD - H52

Graphite PVD - H64
Matt Umber PVD - H67
Matt blush PVD - H60
Matt brass color PVD - H50
Matt brown bronze color PVD - F34
Matt chrome - C02

Matt gold - F07
Matt gold color PVD - H53
Matt graphite PVD - H65
Matt nickel (color finish) - C01
Matt nickel color PVD - H56
Nickel color PVD - H55

Polished chrome (color finish) - A02
Polished chrome with gold inlay - GA1
Polished gold (color finish) - F01
Polished nickel - B01
Soft gold - F30
Soft matt gold - F31
Umber PVD - H66

72354

10/11/2022