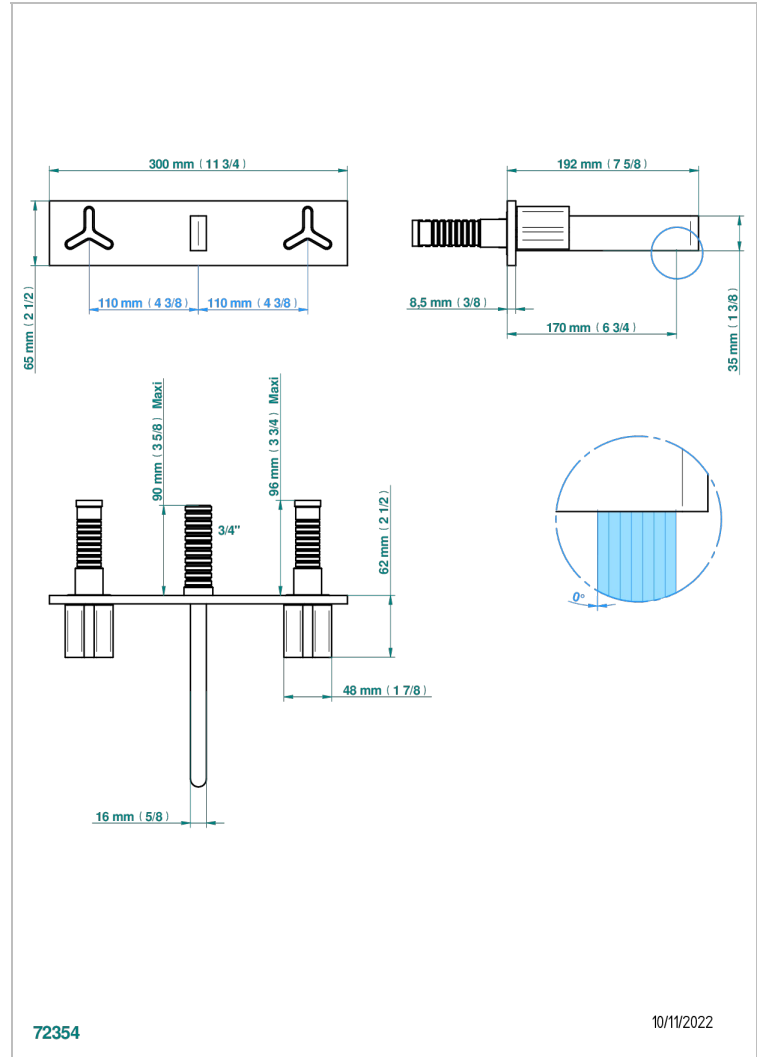
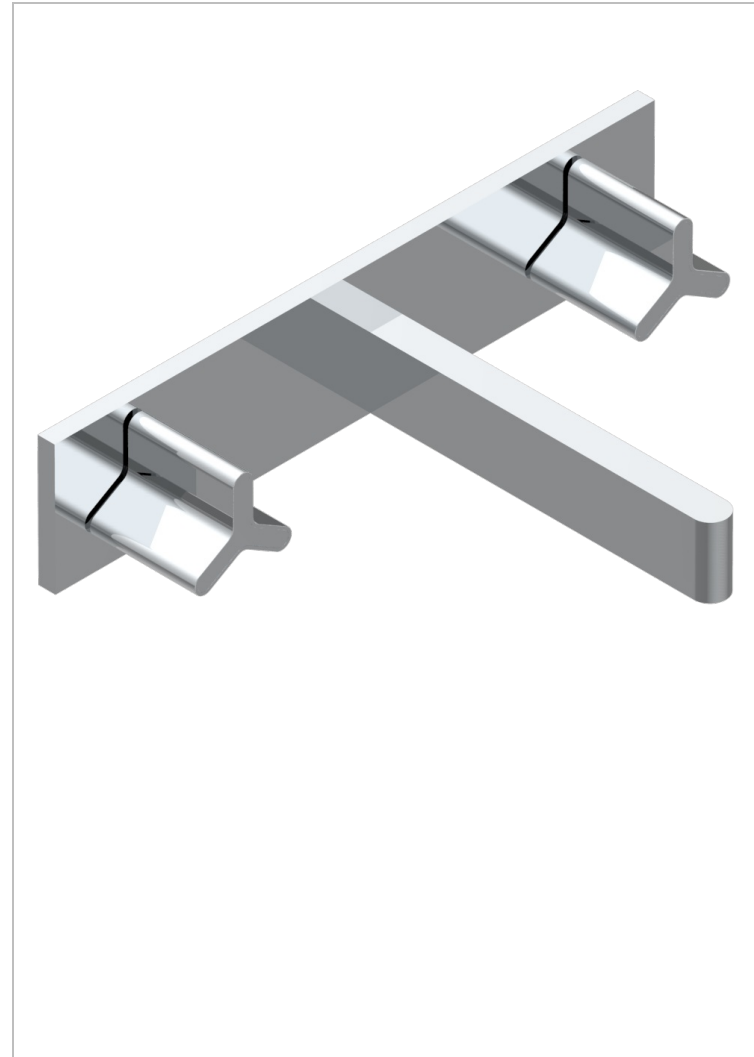


ICON-X METAL INLAYS

U7J-40GBP22

Trim only for wall mounted 3-hole basin mixer, on plate, 220 mm centres (Requires rough ref.G00.40ACP22 or réf.G00.40AMP22)



特色

- Icon-X Metal inlays
- Trim only for wall mounted 3-hole basin mixer, on plate, 220 mm centres (Requires rough ref.G00.40ACP22 or réf.G00.40AMP22)

相关的SKU

- Ref. G00-40ACP22 Rough parts for wall mounted 3 hole mixer on plate, 220 mm centres - cross handle version
- Ref. G00-40AMP22 Rough parts for wall mounted 3 hole mixer on plate, 220 mm centres - lever handle version

可选饰面

Black ceram - D30
Blush PVD - H62
Graphite PVD - H64
Matt Umber PVD - H67
Matt blush PVD - H60
Matt graphite PVD - H65

PVD哑光棕铜 - F34
PVD哑光金 - H53
PVD哑光铜 - H50
PVD哑光镍 - H56
PVD抛光铜 - H49
PVD棕铜 - F33

PVD金色 - H52
PVD镍 - H55
Polished chrome with gold inlay - GA1
Umber PVD - H66
哑光浅金 - F31
哑光金 - F07

哑光铬 - C02
哑光镍 - C01
复古镍 - H28
抛光金 (24K金) - F01
抛光铬 - A02
抛光镍 - B01

浅金 - F30

72354

10/11/2022