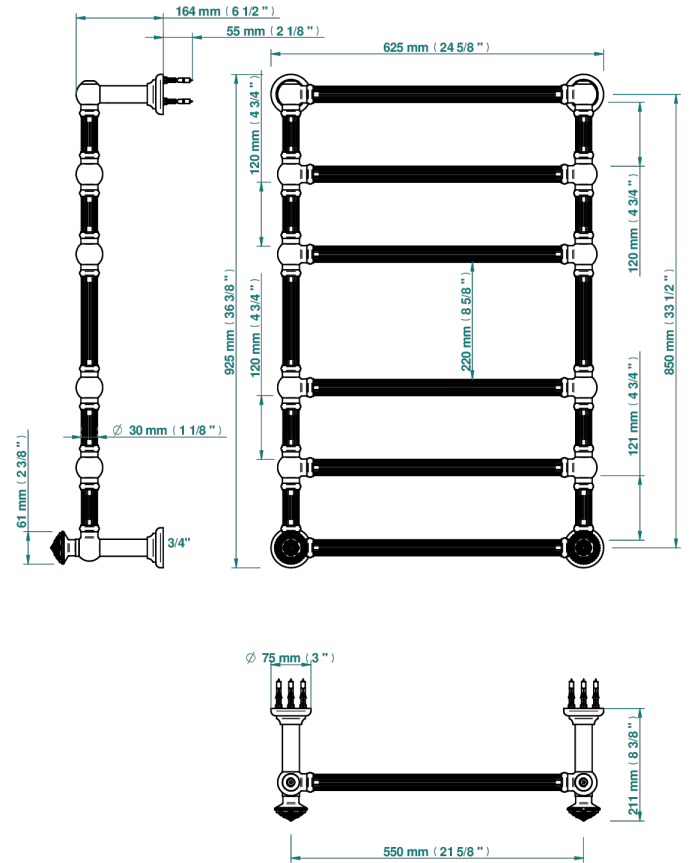
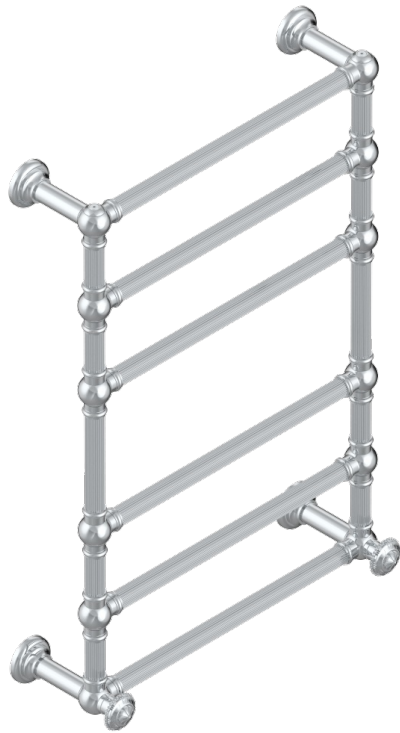


Traditional towel warmer with fluted tube, 6 rails, 625 mm x 925 mm, hydronic with 2 stylised handles



71585

23/10/2019

### CHARACTERISTIC

- Versailles
- Traditional towel warmer with fluted tube, 6 rails, 625 mm x 925 mm, hydronic with 2 stylised handles

### TECHNICAL SPECS

- Pression : 0,5 bars < P < 3 bars (recommandée)
- Pressure : 7.25 psi < P < 43.5 psi (advised)
- Température eau maximale conseillée : 60°C
- Maximum water temperature advised: 140°F
- Hauteur minimale au sol (maximum height from the ground) : 60 cm (24")
- Puissance / Power : 128W à Delta T 30

### AVAILABLE FINITIONS

Blush PVD - H62  
 Brass color PVD - H49  
 Brown bronze color PVD - F33  
 Gold color PVD - H52  
 Graphite PVD - H64  
 Lacquered light bronze - D01

Matt Umber PVD - H67  
 Matt blush PVD - H60  
 Matt brass color PVD - H50  
 Matt brown bronze color PVD - F34  
 Matt chrome - C02  
 Matt gold - F07

Matt gold color PVD - H53  
 Matt graphite PVD - H65  
 Matt nickel (color finish) - C01  
 Matt nickel color PVD - H56  
 Nickel color PVD - H55  
 Polished chrome (color finish) - A02

Polished gold (color finish) - F01  
 Polished nickel - B01  
 Soft gold - F30  
 Soft matt gold - F31  
 Umber PVD - H66